

White

Sandy

Matt Black

Grey



**862/16 PA**


LED 1x15W 230V

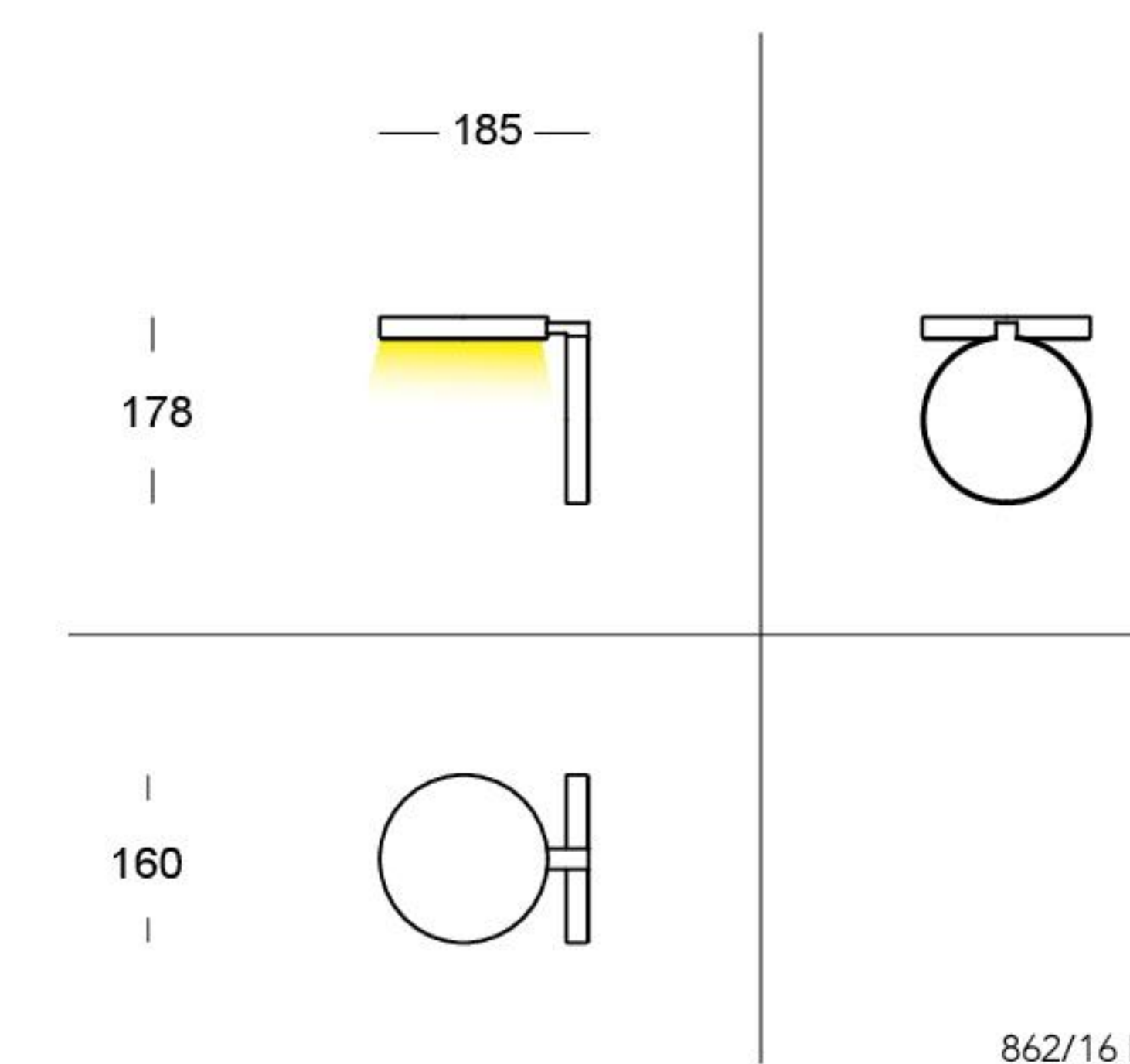
1800lm 3000°K upon request 2700°/4000°K

CE IP20

Net weight 700gr - Gross weight 840gr

Volume m<sup>3</sup> 0,0024

 PHASE-CUT DIMMING



862/16 PA