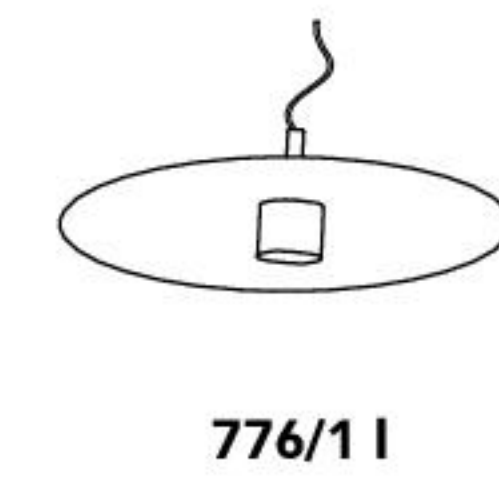
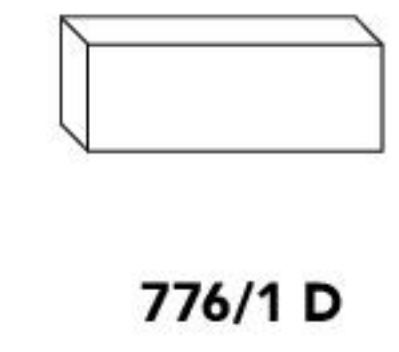


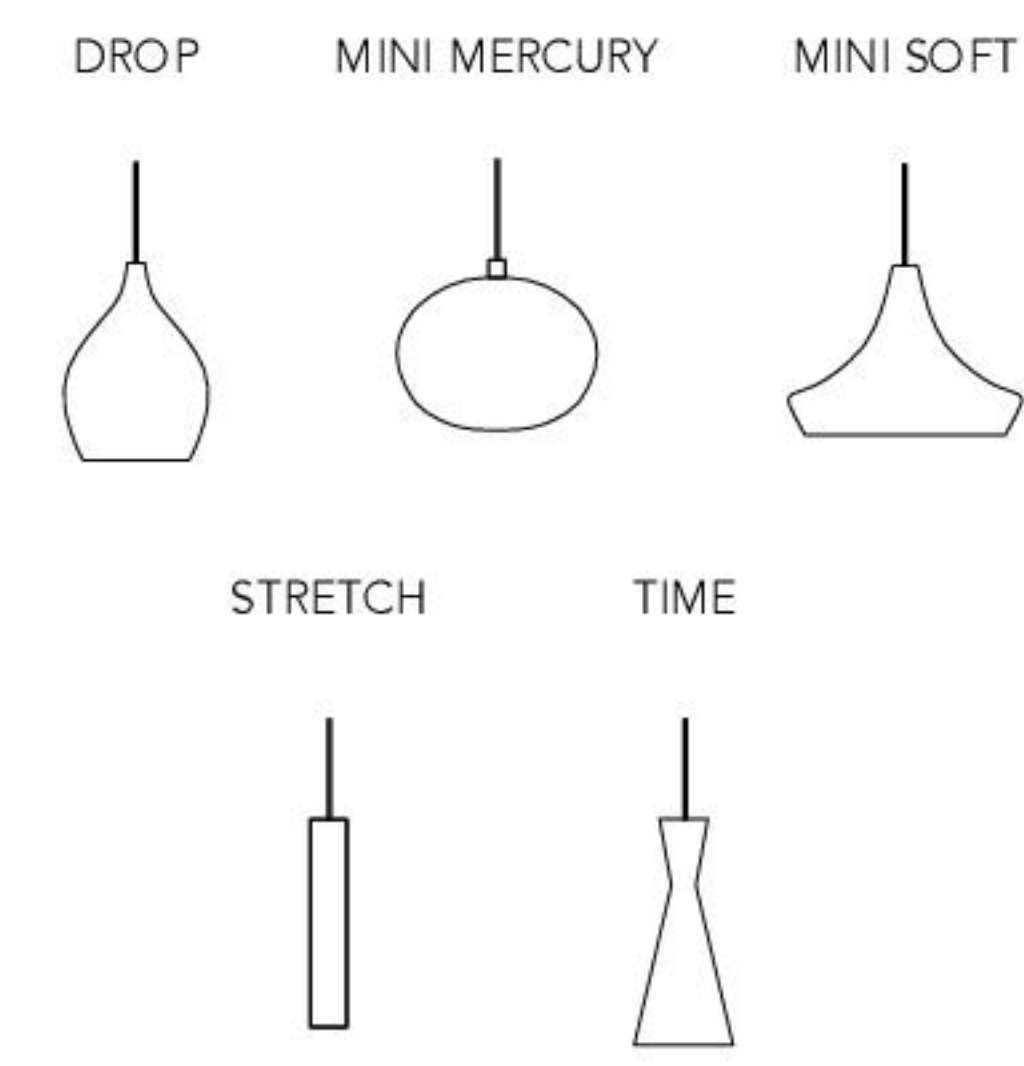
**RECESSED BASE**



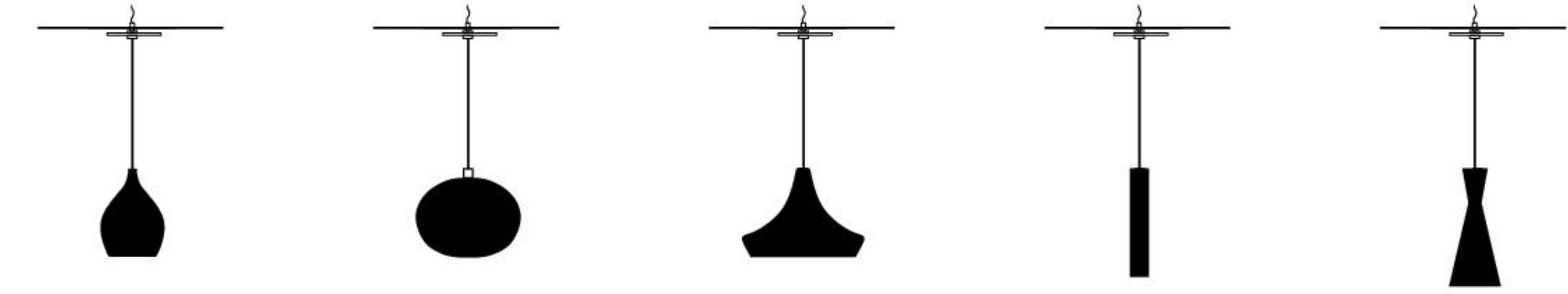
+



+



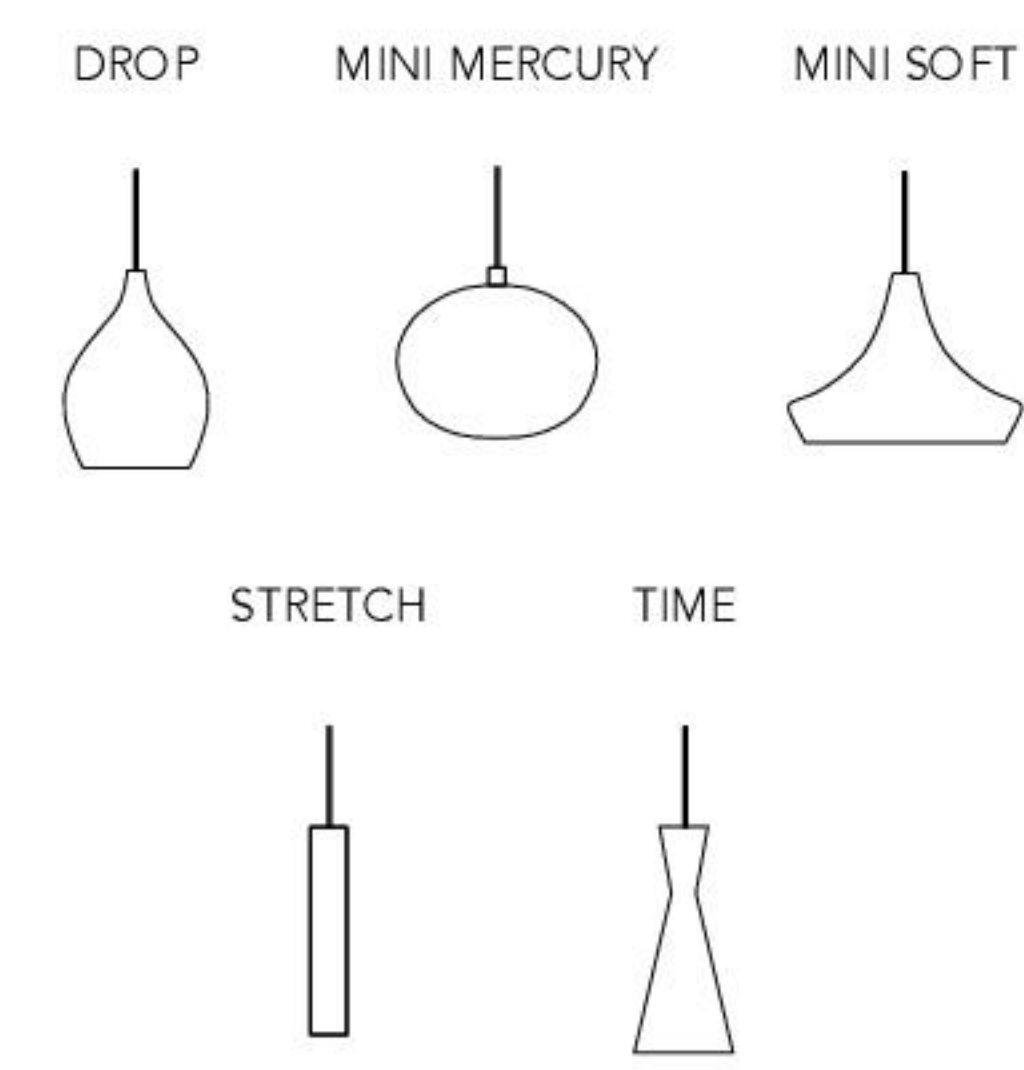
=



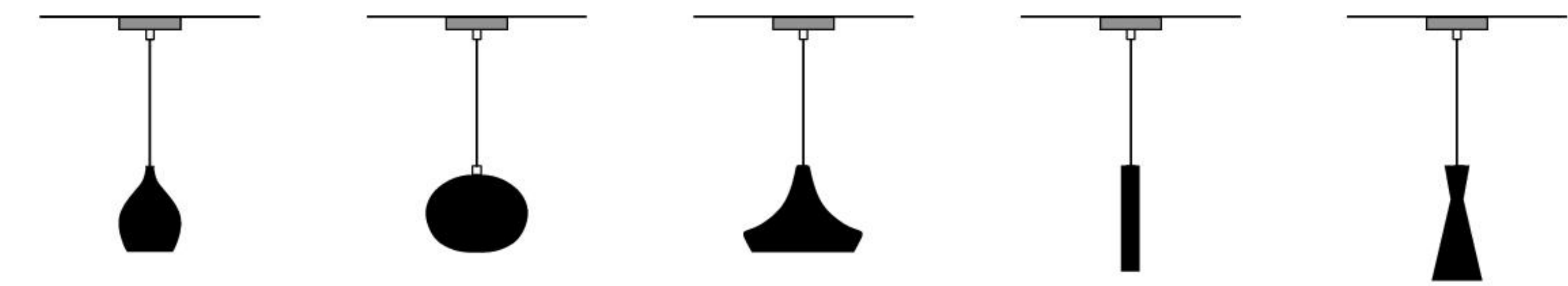
**BASE FOR 1 MODULE**



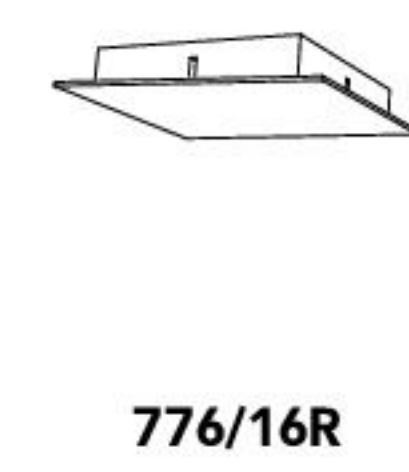
+



=

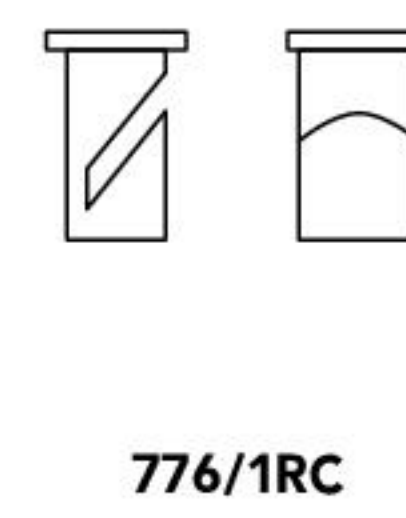


**BASE WITH SIDE EXITS**  
2 to 4 modules

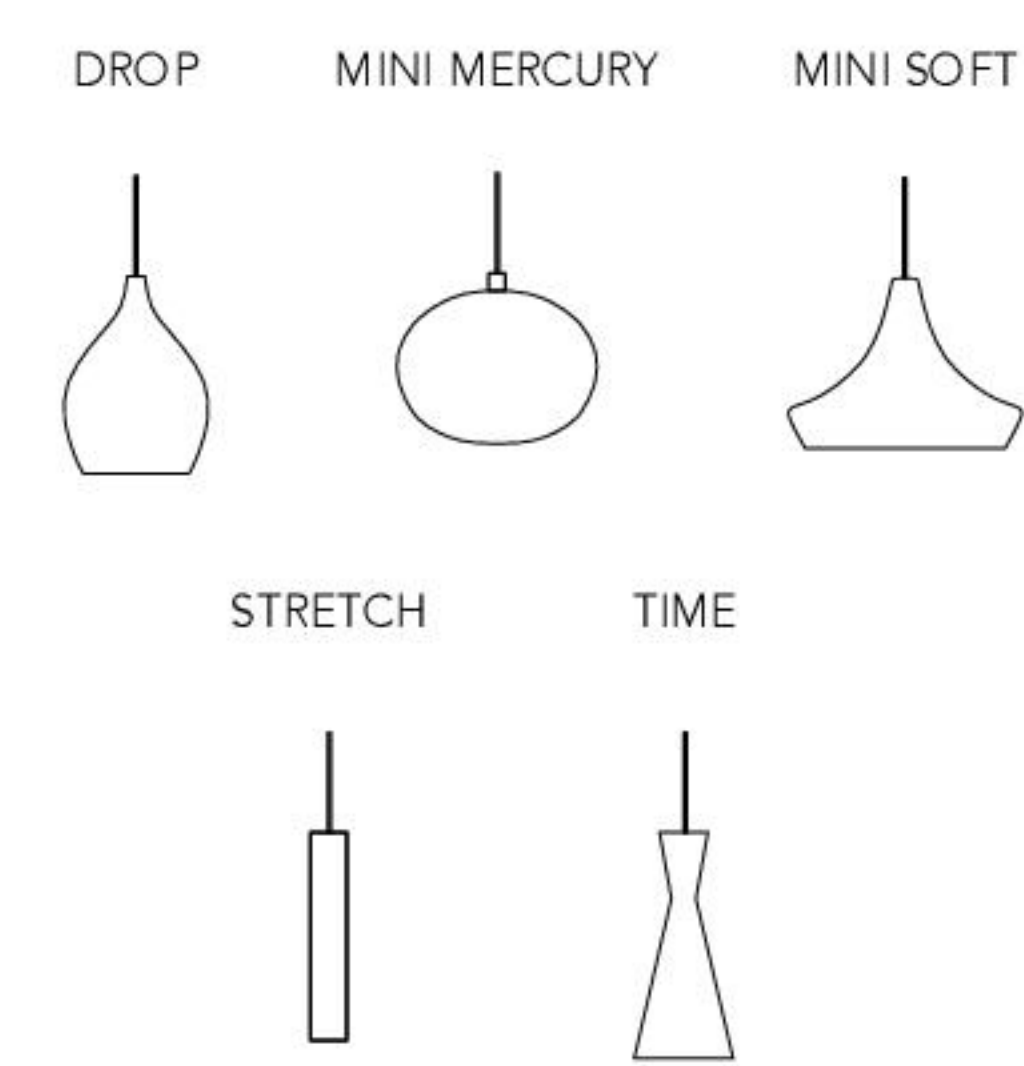


+

**CABLE HOLDER**  
max 4 cables



+



=

