



### SPY


### MAXI SPY

Potenza / Power  
Lumen 3000°K  
Lumen 4000°K  
Classe di isolamento / Class  
V nominale / Nominal V  
Alimentazione / Power supply

7W <sup>(1)</sup>  
353 lm con ottica 12° <sup>(2)</sup>  
388 lm con ottica 12° <sup>(2)</sup>  
I  
220-240V 50/60Hz  
Direct on/off

15W <sup>(1)</sup>  
784 lm w/ 12° optic <sup>(2)</sup>  
862 lm w/ 12° optic <sup>(2)</sup>  
I  
220-240V 50/60Hz  
Direct on/off

#### Primary code

**23122** 

**23143** 

Finiture / Finishes ●

**.1** Anthracite (gloss 8-10)  
**.2** White RAL9010 (gloss 8-10)  
**.8** Dark Brown (gloss 8-10)

**.1** Anthracite (gloss 8-10)  
**.2** White RAL9010 (gloss 8-10)  
**.8** Dark Brown (gloss 8-10)

Temperatura LED / LED colours ■

**.2** 2700K (CRI>90)  
**.3** 3000K (CRI>90)  
**.4** 4000K (CRI>90)

**.2** 2700K (CRI>90)  
**.3** 3000K (CRI>90)  
**.4** 4000K (CRI>90)

Ottiche / Optics ▲

**.11** Spot (12°) | **.16** Medium (34°)



**.11** Spot (12°) | **.16** Medium (34°)



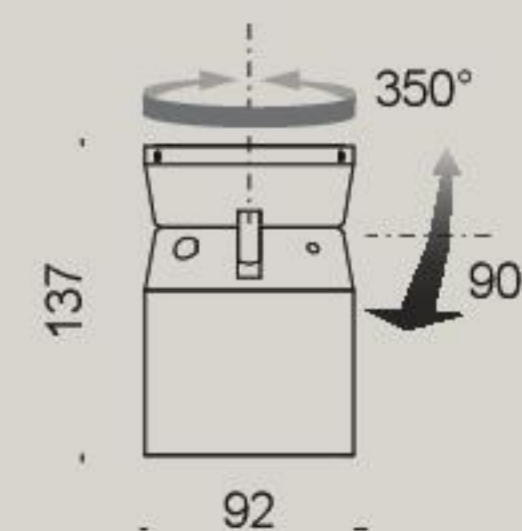
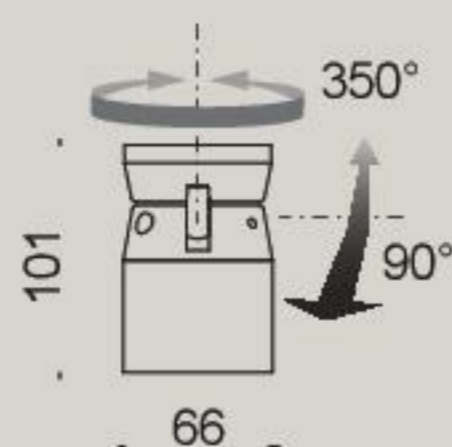
**.22** Wide (55°)



**.22** Wide (55°)



Dimensioni / Dimensions



Note / Notes

<sup>(1)</sup> Assorbimento reale del prodotto; <sup>(2)</sup> Lumen reali del prodotto  
<sup>(1)</sup> Actual power consumption; <sup>(2)</sup> Actual luminous flux

Fotometrie / Photometric diagrams

Per i più recenti e aggiornati dati fotometrici si invita a visitare [www.francesconi.it](http://www.francesconi.it)  
For the latest and most updated photometric data, please visit [www.francesconi.it](http://www.francesconi.it)