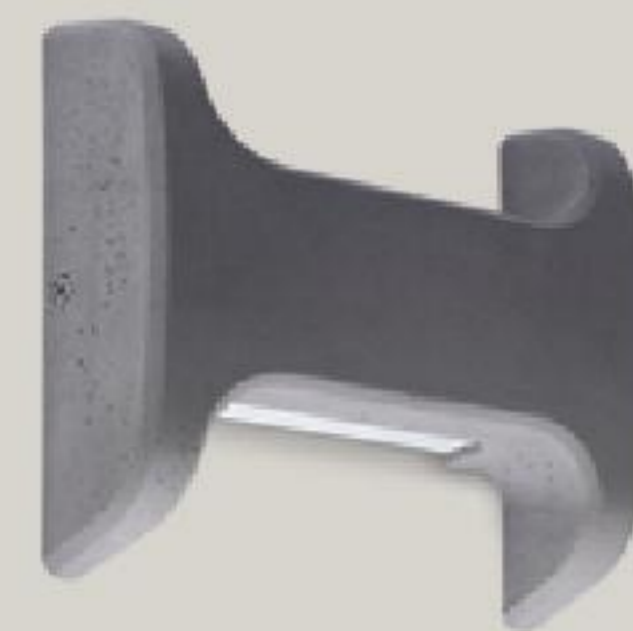




**ELK BOLLARD 400**



**ELK BOLLARD 800**



**ELK WALL**

Potenza / Power  
Lumen 3000°K  
Lumen 4000°K  
Classe di isolamento / Class  
V nominale / Nominal V  
Alimentazione / Power supply

6W <sup>(1)</sup>  
570 lm <sup>(2)</sup>  
598 lm <sup>(2)</sup>  
I  
220-240V 50/60Hz  
Direct on/off

6W <sup>(1)</sup>  
570 lm <sup>(2)</sup>  
598 lm <sup>(2)</sup>  
I  
220-240V 50/60Hz  
Direct on/off

2 x 10W <sup>(1)</sup>  
1217 lm <sup>(2)</sup>  
1229 lm <sup>(2)</sup>  
I  
220-240V 50/60Hz  
Direct on/off

**Primary code**

**61501** ● ■ ▲

**64502** ● ■ ▲

**31501** ● ■ ▲

Finiture / Finishes ●

.A Ash White  
.B Quartz Gray

.A Ash White  
.B Quartz Gray

.A Ash White  
.B Quartz Gray

Temperatura LED / LED colours ■

.3 3000K (CRI>90)  
.4 4000K (CRI>90)

.3 3000K (CRI>90)  
.4 4000K (CRI>90)

.3 3000K (CRI>90)  
.4 4000K (CRI>90)

Ottiche / Optics ▲

.05 Diffused



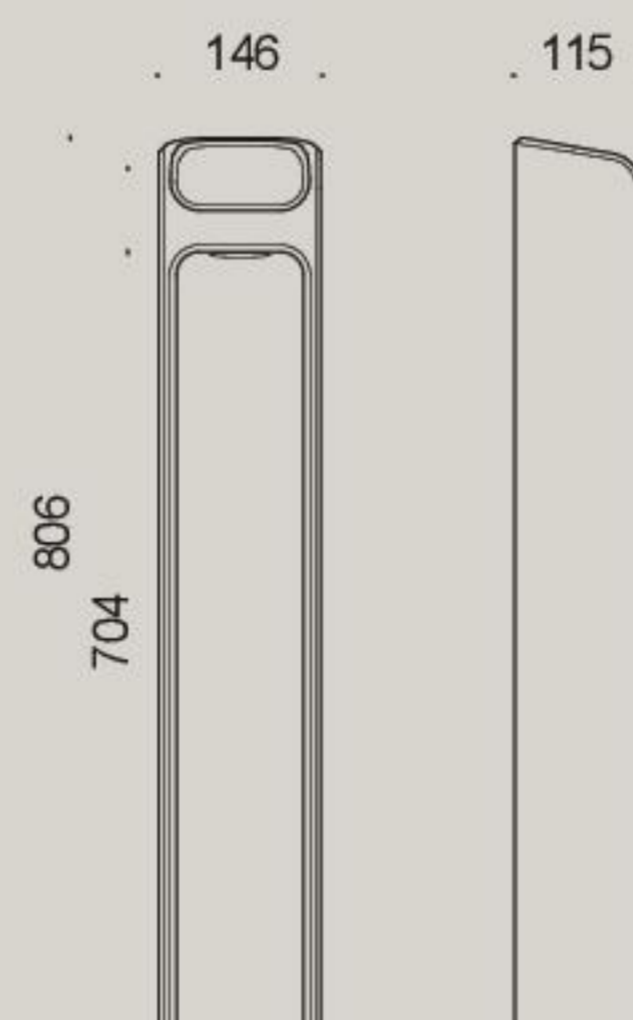
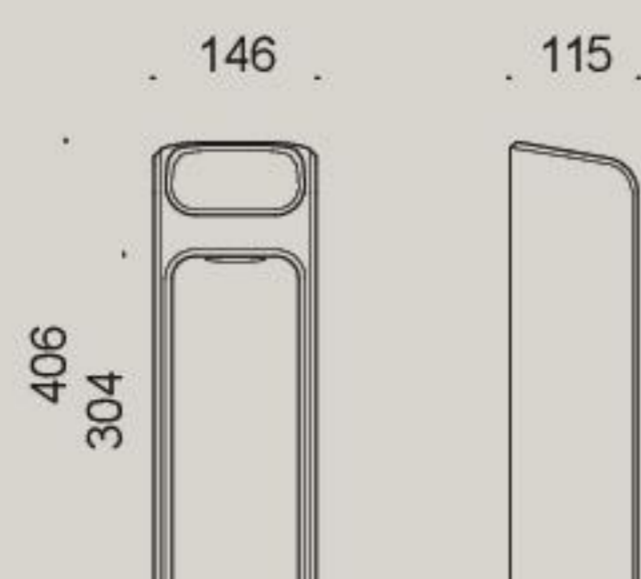
.05 Diffused



.05 Diffused



Dimensioni / Dimensions



Note / Notes

<sup>(1)</sup> Assorbimento reale del prodotto; <sup>(2)</sup> Lumen reali del prodotto  
<sup>(1)</sup> Actual power consumption; <sup>(2)</sup> Actual luminous flux

Fotometrie / Photometric diagrams

Per i più recenti e aggiornati dati fotometrici si invita a visitare [www.francesconi.it](http://www.francesconi.it)  
For the latest and most updated photometric data, please visit [www.francesconi.it](http://www.francesconi.it)