

F.

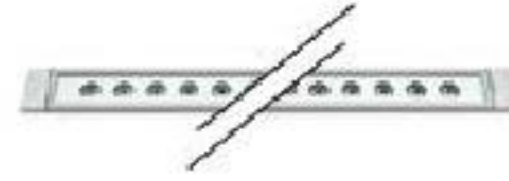
Line

IP67

IK09

IK08

RECESSED LIGHT
RGB+W Led



Collection name

LINE 295 mm

LINE 535 mm

LINE 970 mm

Technical data

Power (Real data)	25.2 W max.	50.4 W max.	75.6 W max.
Class	III	III	III
Nominal Voltage	24V DC PWM	24V DC PWM	24V DC PWM
Power supply	See bottom page	See bottom page	See bottom page
Max load (Alu version)	1000 kg (Alu, walk over)	1000 kg (Alu, walk over)	1000 kg (Alu, walk over)
Max load (Inox version)	1500 kg (Inox, walk over)	1500 kg (Inox, walk over)	1500 kg (Inox, walk over)

Configuration code

Select finish / led / optic

10624 + X + Y + Z

10625 + X + Y + Z

10626 + X + Y + Z

Finish

- 4 - Grey (RAL 9006)
- 6 - Inox Aisi 316L

- 4 - Grey (RAL 9006)
- 6 - Inox Aisi 316L

- 4 - Grey (RAL 9006)
- 6 - Inox Aisi 316L

Color LED

- .5 - RGB+W

- .5 - RGB+W

- .5 - RGB+W

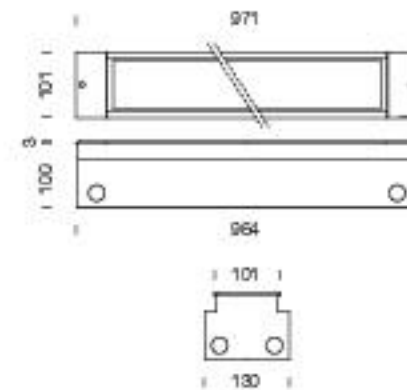
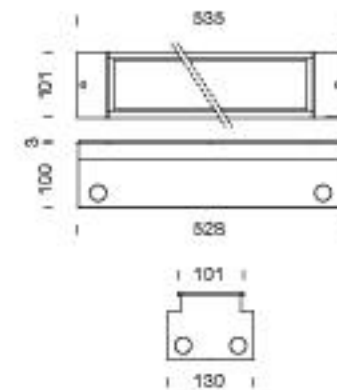
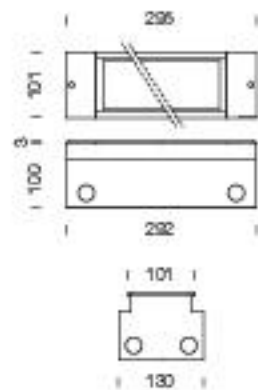
Optic

- .01 - 10° Spot
- .05 - Diffused
- .12 - 24° Medium

- .01 - 10° Spot
- .05 - Diffused
- .12 - 24° Medium

- .01 - 10° Spot
- .05 - Diffused
- .12 - 24° Medium

Technical drawing



Accessories

Schema collegamenti
Installation scheme
Schéma d'installation

pag. 300

RGB+W & TUNEABLE WHITE POWER SUPPLIES

MASTER (24V in - 350mA out)

BLUETOOTH / PUSH

C005 28W (7W/ch) 88x54x26 mm IP20

DMX / PUSH / 0-10 (DIN rail 4m)

C020 60W (15W/ch) 72x92x62 mm IP20

DRIVER (220/240V in - 24V out)

D001 40W max. 150x53x35 mm IP67

D003 120W max. 191x63x38 mm IP67