

Maxi Flea

IP67 IK10

RECESSED LIGHT
RGB+W - Tunable white led



Collection name

MAXI FLEA

MAXI FLEA

MAXI FLEA

MAXI FLEA

Technical data

Power (Real data)	4.0 W	4.0 W	4.0 W	4.0 W
Class	III	III	III	III
Nominal Voltage	max. 350mA	max. 350mA	max. 350mA	max. 350mA
Power supply	See bottom page	See bottom page	See bottom page	See bottom page
Max load	1500 kg (Walk over)	1500 kg (Walk over)	1500 kg (Walk over)	1500 kg (Walk over)

Configuration code

Select finish / led / optic

10153 + X + Y + Z

10153 + X + Y + Z

10154 + X + Y + Z

10154 + X + Y + Z

Finish **X**

- 5 - Anodized aluminium
- 6 - Inox Aisi 316L

- 9 - Total glass

- 5 - Anodized aluminium
- 6 - Inox Aisi 316L

- 9 - Total glass

Color LED **Y**

- .5 - RGB+W
- .7 - Tunable white

- .5 - RGB+W
- .7 - Tunable white

- .5 - RGB+W
- .7 - Tunable white

- .5 - RGB+W
- .7 - Tunable white

Optic **Z**

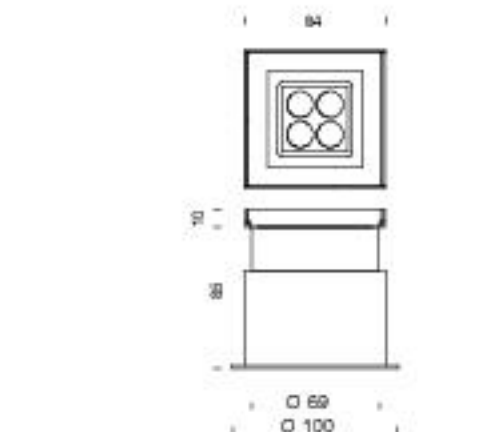
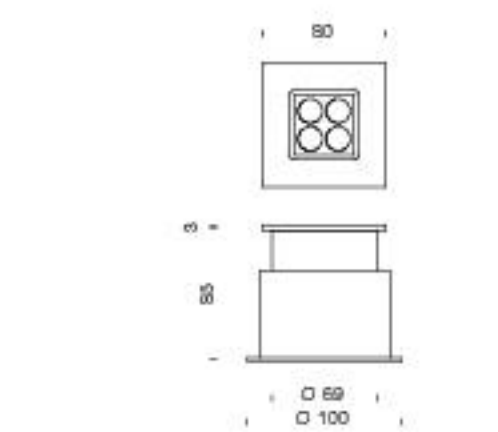
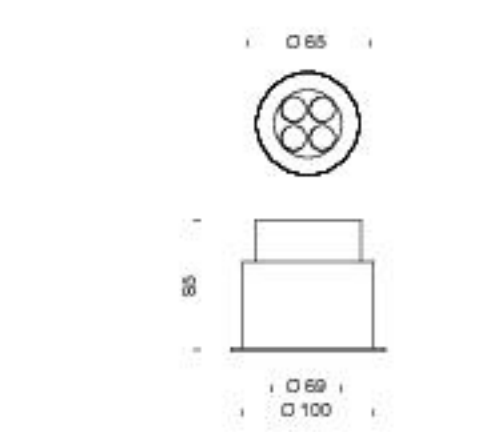
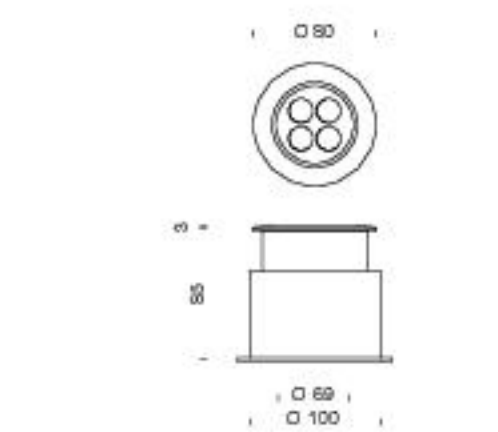
- .02 - 30° Medium
- .05 - Diffused

- .02 - 30° Medium
- .05 - Diffused

- .02 - 30° Medium
- .05 - Diffused

- .02 - 30° Medium
- .05 - Diffused

Technical drawing



Accessories

Schema collegamenti
Installation scheme
Schéma d'installation

pag. 300

RGB+W & TUNEABLE WHITE POWER SUPPLIES

MASTER (24V in - 350mA out)

BLUETOOTH / PUSH			
C005	28W (7W/ch)	88x54x26 mm	IP20
DMX / PUSH / 0-10 (DIN rail 4m)			
C020	60W (15W/ch)	72x92x62 mm	IP20

DRIVER (220/240V in - 24V out)

D001	40W max.	150x53x35 mm	IP67
D003	120W max.	191x63x38 mm	IP67