

# F.

IP65

IK07

# Pin

FLAT BOLLARD  
1 - 2 Opening



### Collection name

**PIN 205 mm**

**PIN 605 mm**

**PIN 205 mm**

**PIN 605 mm**

### Technical data

Power (Real data)	13.5 W	13.5 W	13.5 W	13.5 W
Lumen 3000K (Real data)	1053 lm (Optic .14)	1112 lm (Optic .14)	1054 lm (Optic .14)	1140 lm (Optic .14)
Lumen 4000K (Real data)	1149 lm (Optic .14)	1213 lm (Optic .14)	1139 lm (Optic .14)	1243 lm (Optic .14)
Class	I	I	I	I
Nominal Voltage	220-240V 50/60Hz	220-240V 50/60Hz	220-240V 50/60Hz	220-240V 50/60Hz
Power supply	Included	Included	Included	Included
Openings	1 opening	1 opening	2 openings	2 openings

### Configuration code

#### Select finish / led / optic

**61048 + X + Y + Z**

**61072 + X + Y + Z**

**61049 + X + Y + Z**

**61073 + X + Y + Z**

Finish **X**

- 1 - Anthracite gloss 8-10
- 4 - Grey (RAL 9006)
- 8 - Dark brown

- 1 - Anthracite gloss 8-10
- 4 - Grey (RAL 9006)
- 8 - Dark brown

- 1 - Anthracite gloss 8-10
- 4 - Grey (RAL 9006)
- 8 - Dark brown

- 1 - Anthracite gloss 8-10
- 4 - Grey (RAL 9006)
- 8 - Dark brown

Color LED **Y**

- .2 - 2700K CRI > 80
- .3 - 3000K CRI > 80
- .4 - 4000K CRI > 80

- .2 - 2700K CRI > 80
- .3 - 3000K CRI > 80
- .4 - 4000K CRI > 80

- .2 - 2700K CRI > 80
- .3 - 3000K CRI > 80
- .4 - 4000K CRI > 80

- .2 - 2700K CRI > 80
- .3 - 3000K CRI > 80
- .4 - 4000K CRI > 80

Optic **Z**

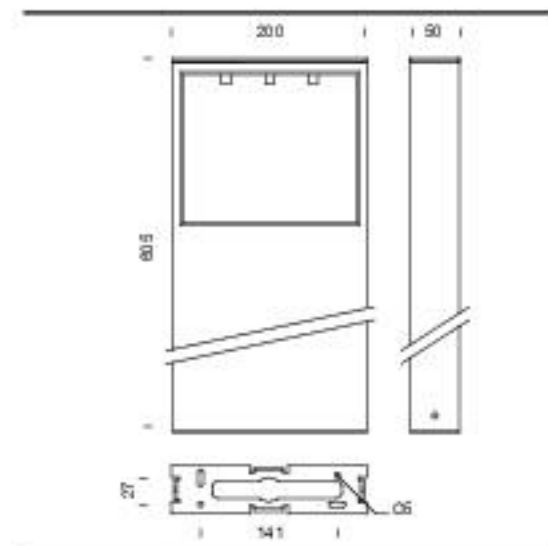
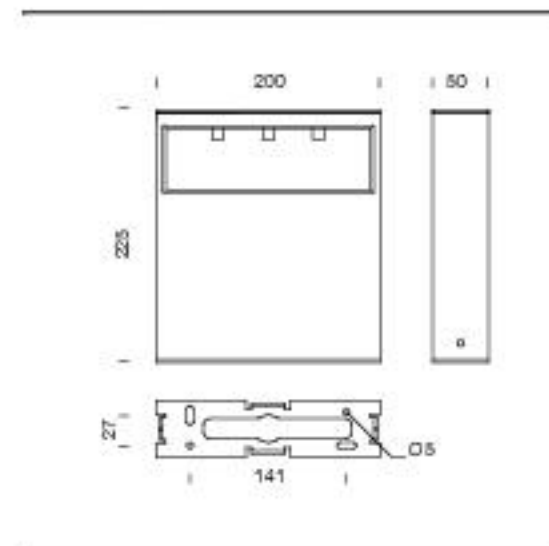
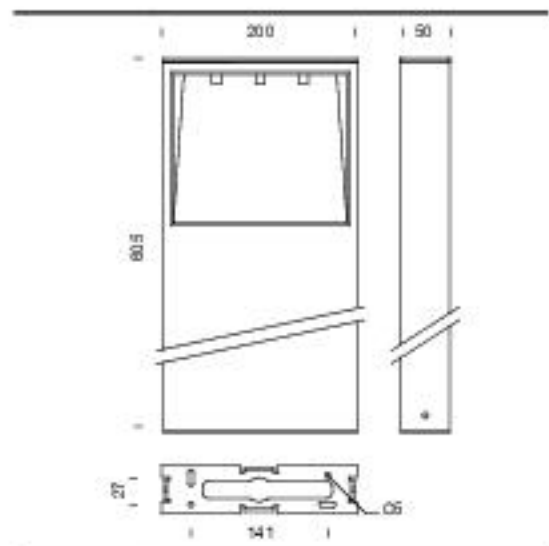
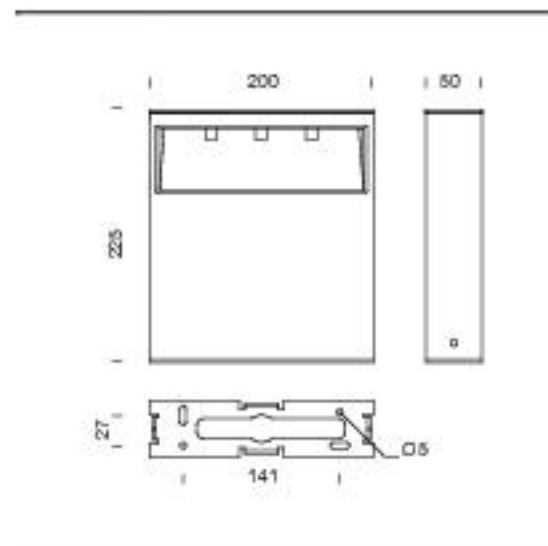
- .14 - Transparent

- .14 - Transparent

- .14 - Transparent

- .14 - Transparent

### Technical drawing



### Isolux diagrams

