

# F.

# Mini Spy - Spy

IP66

IK08

FLOODLIGHT  
White led



## Collection name

MINI SPY

SPY

SPY

## Technical data

Power (Real data)	2.2 W	7.0 W	7.0 W
Lumen 3000K (Real data)	117 lm (Optic .01)	353 lm (Optic .11)	353 lm (Optic .11)
Lumen 4000K (Real data)	121 lm (Optic .01)	388 lm (Optic .11)	388 lm (Optic .11)
Class	I	I	I
Nominal Voltage	24V DC dimmable	220-240V 50/60Hz	220-240V 50/60Hz
Power supply	See bottom page	Included	Included

## Configuration code

### Select finish / led / optic

43101 + X + Y + Z

43122 + X + Y + Z

43123 + X + Y + Z

Finish X

- 5 - Anodized aluminium
- 8 - Dark brown

- 5 - Anodized aluminium
- 8 - Dark brown

- 5 - Anodized aluminium
- 8 - Dark brown

Color LED Y

- .2 - 2700K CRI > 80
- .3 - 3000K CRI > 80
- .4 - 4000K CRI > 80

- .2 - 2700K CRI > 80
- .3 - 3000K CRI > 80
- .4 - 4000K CRI > 80

- .2 - 2700K CRI > 80
- .3 - 3000K CRI > 80
- .4 - 4000K CRI > 80

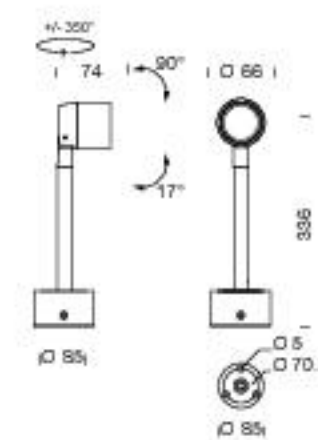
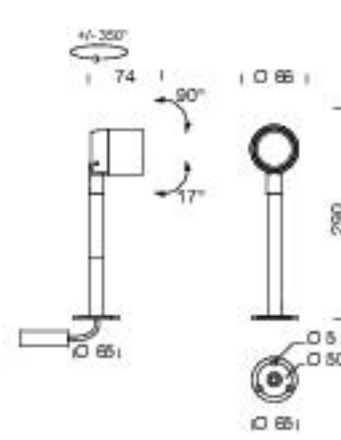
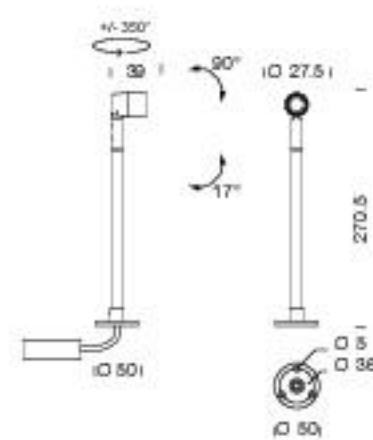
Optic Z

- .01 - 10° Spot
- .02 - 30° Medium
- .04 - 14°x20° Elliptical

- .11 - 12° Spot
- .16 - 34° Medium
- .22 - 55° Wide

- .11 - 12° Spot
- .16 - 34° Medium
- .22 - 55° Wide

## Technical drawing



## Accessories

Schema collegamenti  
Installation scheme  
Schéma d'installation  
  
pag. 300

### MONOCHROMATIC LED POWER SUPPLIES

#### MASTER (24V in - 24V out)

0-10V / 1-10V / PUSH			
C219	192W max.	44x57x19 mm	IP20
DALI			
C224	156W max.	44x57x25 mm	IP10
BLUETOOTH			
C225	156W max.	44x57x25 mm	IP20

#### DRIVER (220/240V in - 24V out)

D000	20W max.	118x35x26 mm	IP67
D001	40W max.	150x53x35 mm	IP67
D002	60W max.	163x43x32 mm	IP67
D003	120W max.	191x63x38 mm	IP67
D010	185W max.	228x68x39 mm	IP67