

Mok

FLOODLIGHT
White & RGB led

IP65

IK08



Collection name

MOK

MOK

Technical data

Power (Real data)
Lumen 3000K (Real data)
Lumen 4000K (Real data)
Class
Nominal Voltage
Power supply

18.0 W
1975 lm (Optic .11)
2037 lm (Optic .11)
I
220-240V 50/60Hz
Included

15.0 W
—
—
III
24V PWM
See bottom page

Configuration code

Select finish / led / optic

42023 + X + Y + Z

42024 + X + Y + Z

Finish X

- 1 – Anthracite gloss 8-10
- 4 – Grey (RAL 9006)
- 8 – Dark brown

- 1 – Anthracite gloss 8-10
- 4 – Grey (RAL 9006)
- 8 – Dark brown

Color LED Y

- .2 – 2700K CRI > 80
- .3 – 3000K CRI > 80
- .4 – 4000K CRI > 80

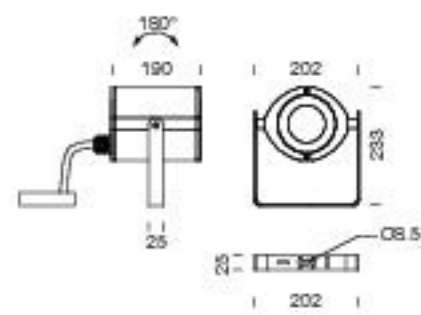
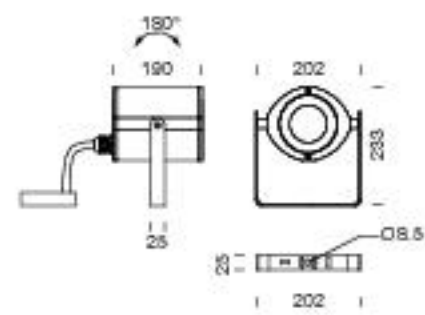
- .6 – RGB

Optic Z

- .11 – 12° Spot
- .12 – 24° Medium
- .13 – 38° Medium

- .12 – 24° Medium

Technical drawing



Accessories

Schema collegamenti
Installation scheme
Schéma d'installation

pag. 300

RGB POWER SUPPLIES

MASTER (24V in - 24V out)

BLUETOOTH / PUSH

C007	240W (60W/ch)	88x54x26 mm	IP20
------	---------------	-------------	------

DMX / PUSH / 0-10 (DIN rail 4m)

C100	360W (120W/ch)	72x92x62 mm	IP20
------	----------------	-------------	------

DRIVER (220/240V in - 24V out)

D020	240W max.	244x68x39 mm	IP67
D024	320W max.	252x90x44 mm	IP67