

F.

Maxi Flea

IP67

IK10

DOWNLIGHT
White led



Collection name

MAXI FLEA round

MAXI FLEA square

Technical data

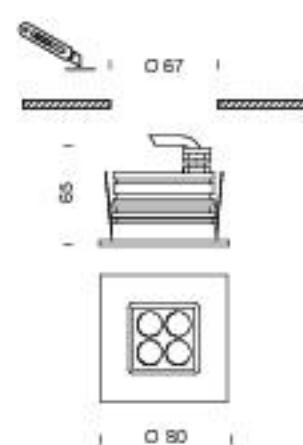
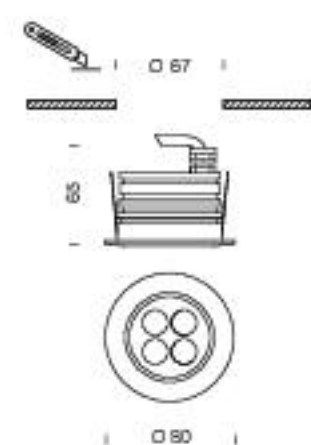
	MAXI FLEA round	MAXI FLEA square
Power (Real data)	7.0 W	7.0 W
Lumen 3000K (Real data)	442 lm (Optic .01)	442 lm (Optic .01)
Lumen 4000K (Real data)	446 lm (Optic .01)	446 lm (Optic .01)
Class	III	III
Nominal Voltage	24V DC dimmable	24V DC dimmable
Power supply	See bottom page	See bottom page

Configuration code

Select finish / led / optic

	20151 + X + Y + Z	20152 + X + Y + Z
Finish X	<ul style="list-style-type: none"> 2 - White (RAL 9010) 5 - Anodized aluminium 6 - Inox Aisi 316L 	<ul style="list-style-type: none"> 2 - White (RAL 9010) 5 - Anodized aluminium 6 - Inox Aisi 316L
Color LED Y	<ul style="list-style-type: none"> .2 - 2700K CRI > 80 .3 - 3000K CRI > 80 .4 - 4000K CRI > 80 	<ul style="list-style-type: none"> .2 - 2700K CRI > 80 .3 - 3000K CRI > 80 .4 - 4000K CRI > 80
Optic Z	<ul style="list-style-type: none"> .01 - 10° Spot .02 - 30° Medium .04 - 14°x20° Elliptical .05 - Diffused 	<ul style="list-style-type: none"> .01 - 10° Spot .02 - 30° Medium .04 - 14°x20° Elliptical .05 - Diffused

Technical drawing



Accessories

Schema collegamenti
Installation scheme
Schéma d'installation

pag. 300

MONOCHROMATIC LED POWER SUPPLIES

MASTER (24V in - 24V out)

0-10V / 1-10V / PUSH

C219	192W max.	44x57x19 mm	IP20
------	-----------	-------------	------

DALI

C224	156W max.	44x57x25 mm	IP10
------	-----------	-------------	------

BLUETOOTH

C225	156W max.	44x57x25 mm	IP20
------	-----------	-------------	------

DRIVER (220/240V in - 24V out)

D000	20W max.	118x35x26 mm	IP67
------	----------	--------------	------

D001	40W max.	150x53x35 mm	IP67
------	----------	--------------	------

D002	60W max.	163x43x32 mm	IP67
------	----------	--------------	------

D003	120W max.	191x63x38 mm	IP67
------	-----------	--------------	------

D010	185W max.	228x68x39 mm	IP67
------	-----------	--------------	------