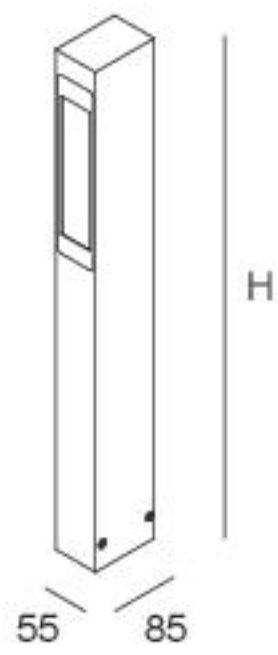


SPARK



Corpo in lega di alluminio anodizzata e verniciata a polvere;
 riflettore in acciaio inox AISI 316L;
 base di fissaggio per installazione a pavimento in acciaio inox;
 picchetto per installazione in terreno in acciaio inox (da ordinare a parte).
 Alimentazione elettronica integrata 220-240V 50/60Hz per LED.

Body made of anodized powder coated aluminium alloy;
 reflector made of AISI 316L stainless steel;
 base for the installation on the floor made of stainless steel;
 spike for installation in the ground made of stainless steel (to be ordered separately).
 Integrated electronic 220-240V 50/60Hz driver for LED.

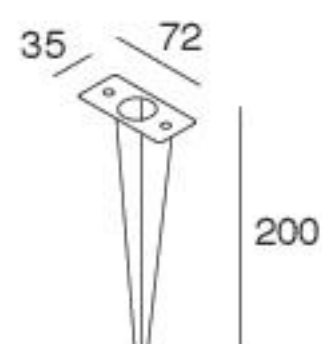


L (mm)	POWER	FLUX	3000K	FLUX	4000K
600	13W	175 lm	E520X1013GK	185 lm	E520Y1013GK
900	13W	175 lm	E522X1013GK	185 lm	E522Y1013GK

L (mm)	POWER	FLUX	3000K	FLUX	4000K
600	13W	175 lm	E520X1013NK	185 lm	E520Y1013NK
900	13W	175 lm	E522X1013NK	185 lm	E522Y1013NK

L (mm)	POWER	FLUX	3000K	FLUX	4000K
600	13W	175 lm	E520X1013QK	185 lm	E520Y1013QK
900	13W	175 lm	E522X1013QK	185 lm	E522Y1013QK

ACCESSORI ACCESSORIES



PICCHETTO
 per installazione in terreno
 acciaio inox.

STAKE for installation
 in the ground stainless steel.

CODE

A520K0011KK