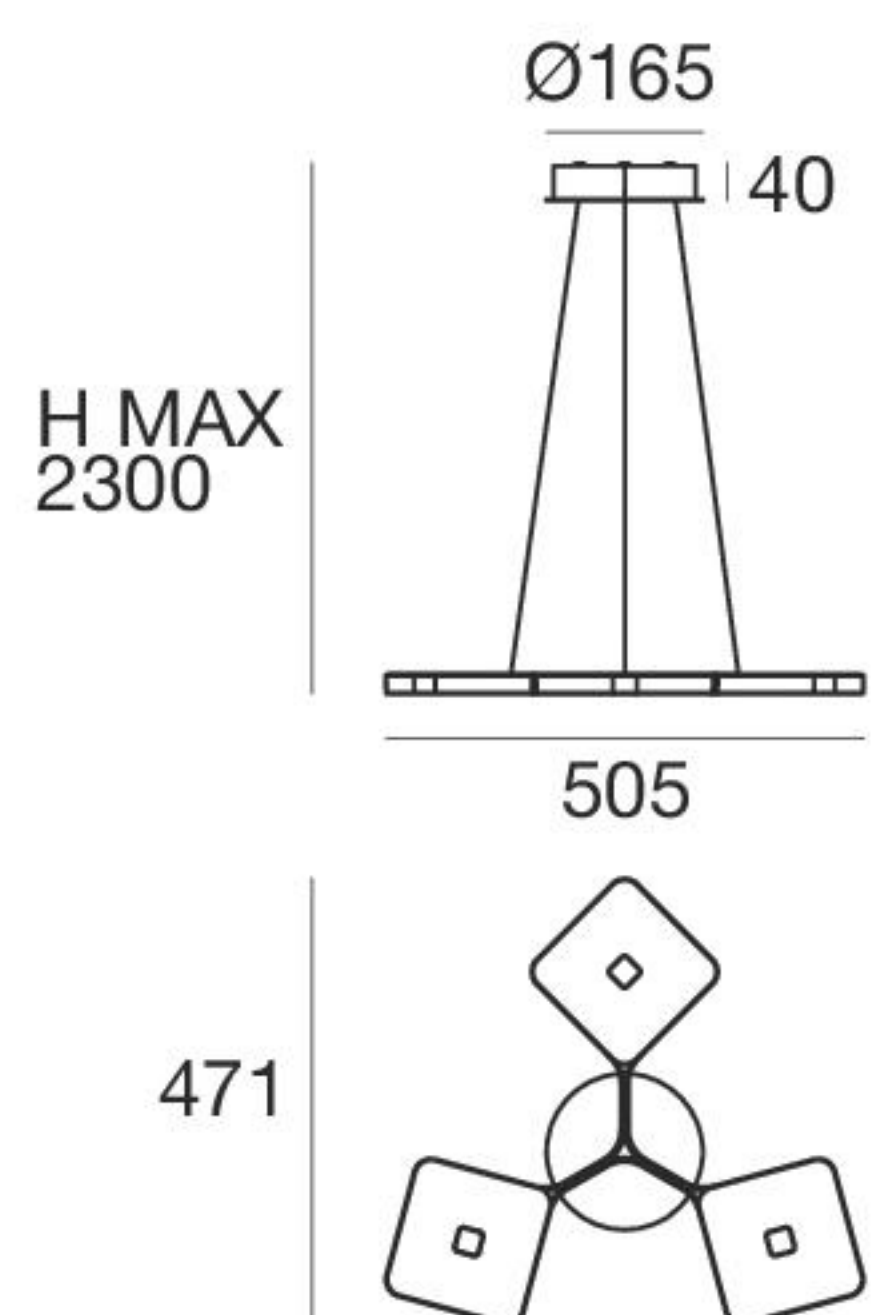
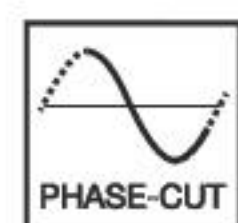


Quad_P3 double emission | Pendant luminaires | 220-240 V | topLED 47 W



type

White	CRI 90	8528
Black	CRI 90	8529

colour

3000 K 5917 lm

optics

diffused

accessories



KIT0080
CASAMBI
Phase-Cut Dimmer
1 art.

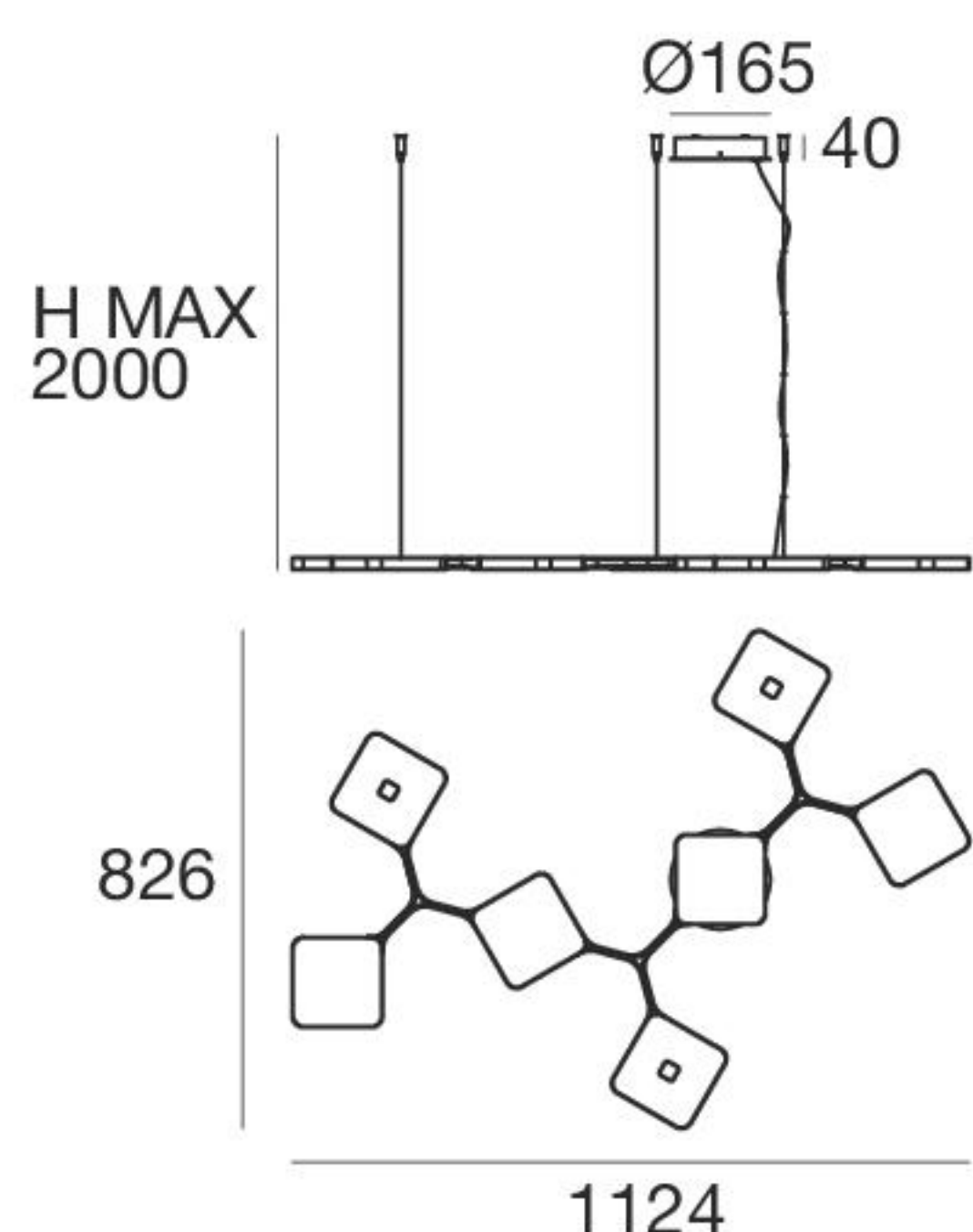
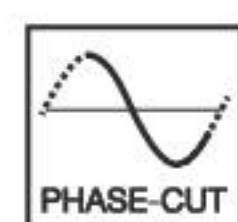
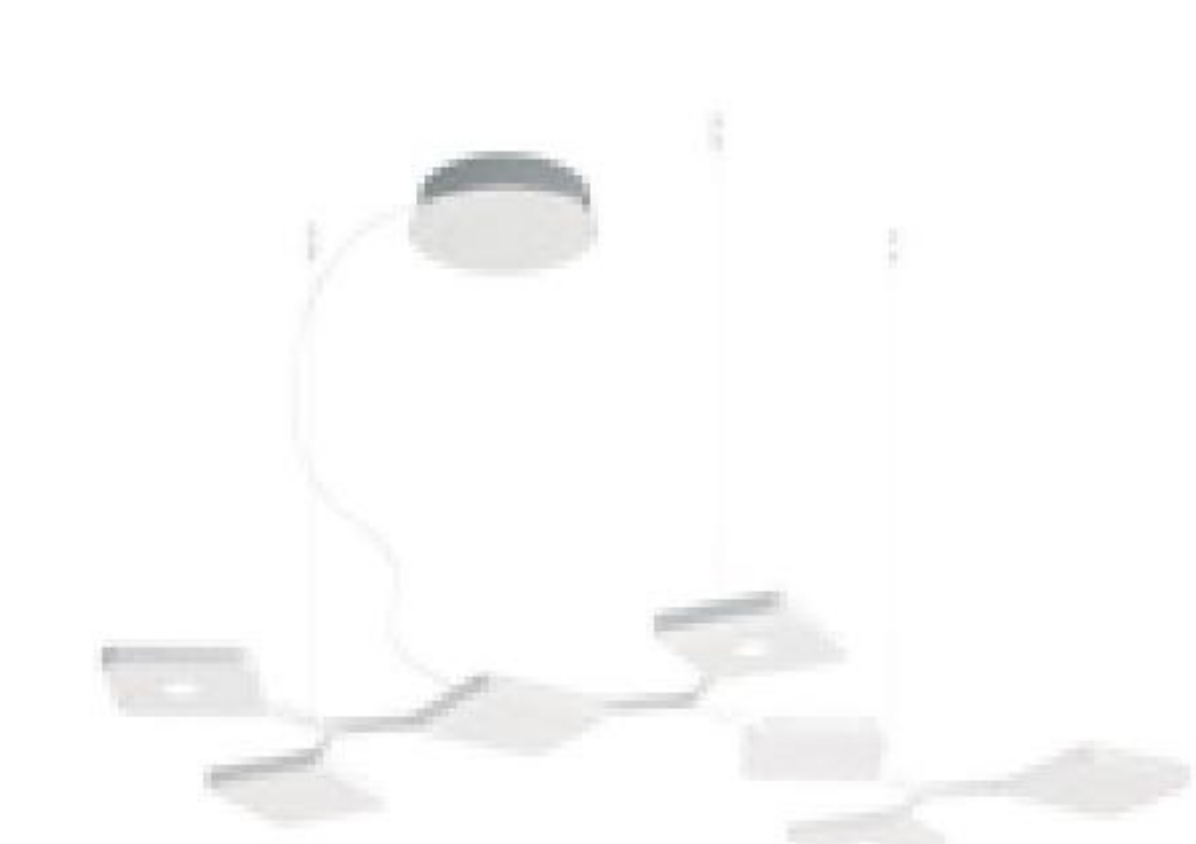


KIT0026
Phase-Cut Dimmer
1-2 art.

Quad_P3 mono in

MA&DE

Quad_P7 double emission | Pendant luminaires | 220-240 V | topLED 47 W



type

White	CRI 90	8526
Black	CRI 90	8527

colour

3000 K 5917 lm

optics

diffused

accessories



KIT0080
CASAMBI
Phase-Cut Dimmer
1 art.

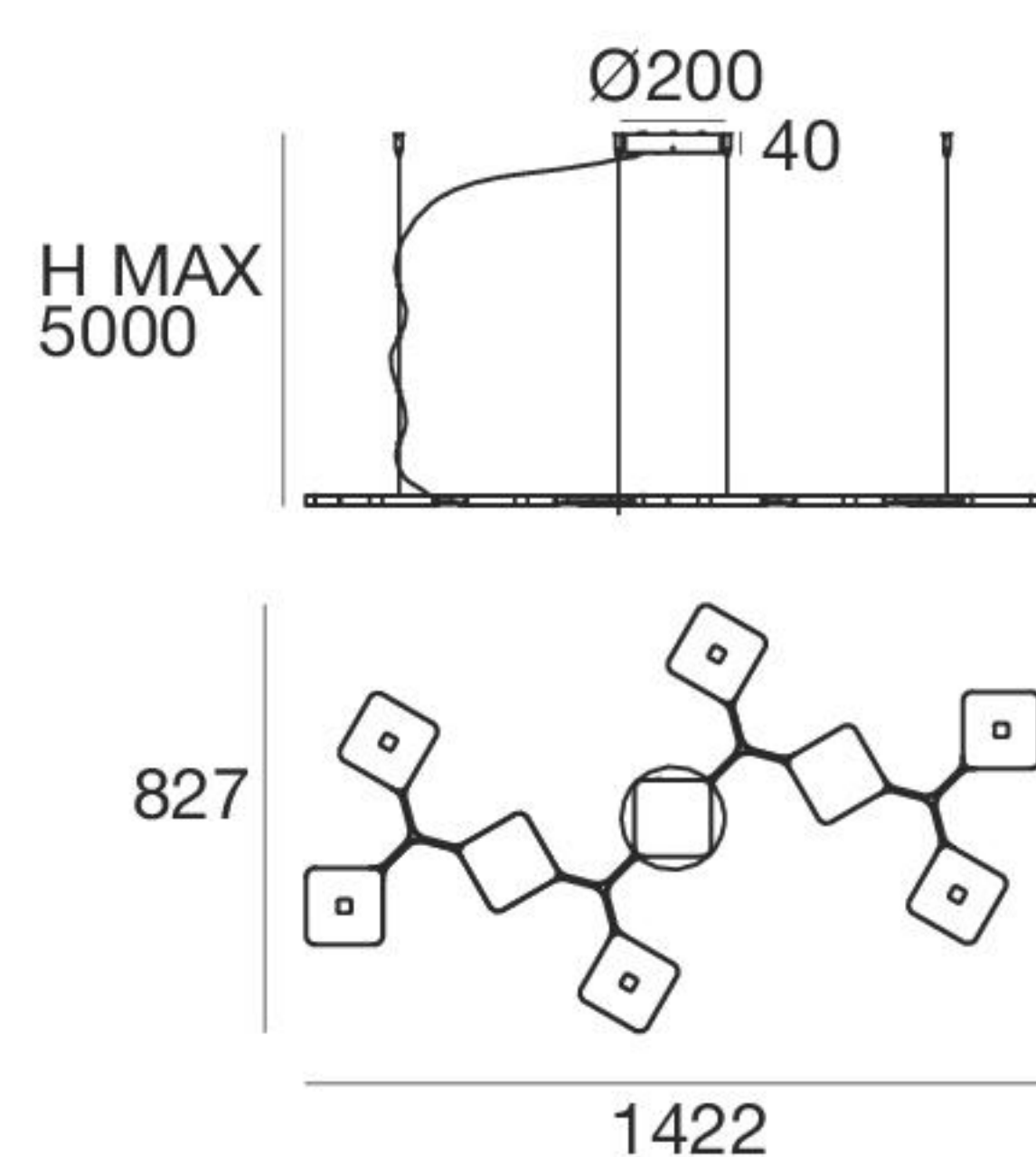
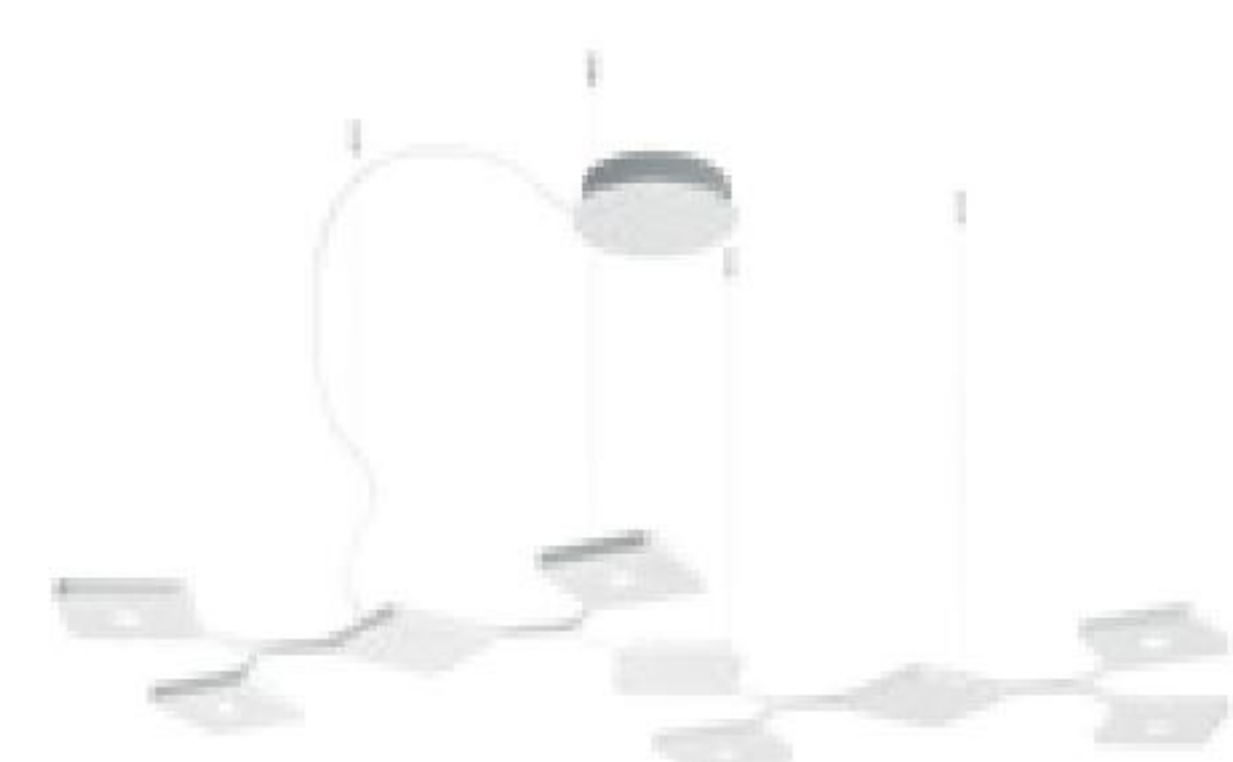


KIT0026
Phase-Cut Dimmer
1-2 art.

Quad_P7 mono in

MA&DE

Quad_P9 double emission | Pendant luminaires | 220-240 V | topLED 89 W



type

White	CRI 90	8522
Black	CRI 90	8523

colour

3000 K 11052 lm

optics

diffused

accessories



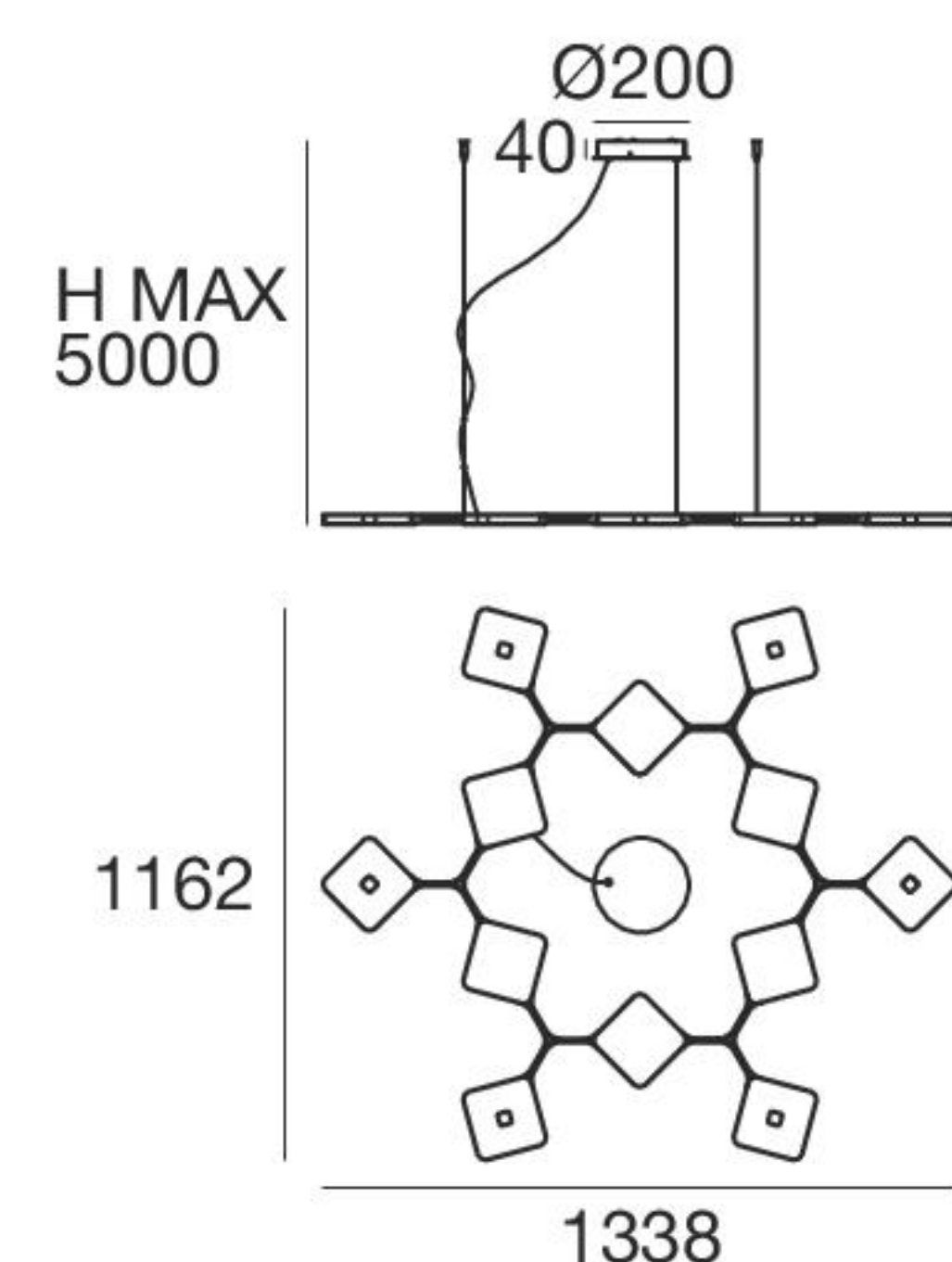
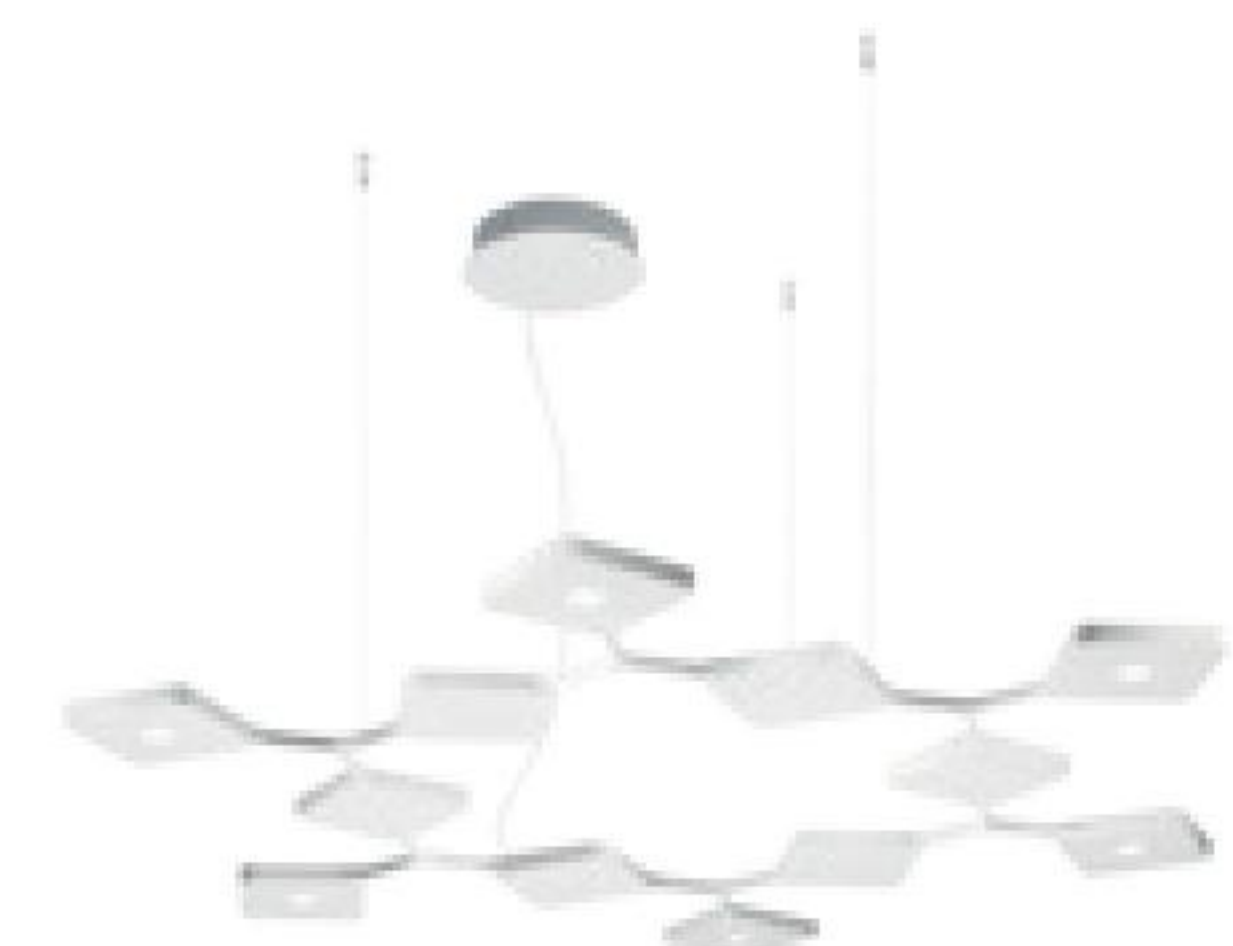
KIT0079
CASAMBI
DALI Dimmer
1 art.



Quad_P9 mono in

MA&DE

Quad_P12 double emission | Pendant luminaires | 220-240 V | topLED 89 W



type

White	CRI 90	8524
Black	CRI 90	8525

colour

3000 K 11052 lm

optics

diffused

accessories



KIT0079
CASAMBI
DALI Dimmer
1 art.



Quad_P12 mono in

MA&DE