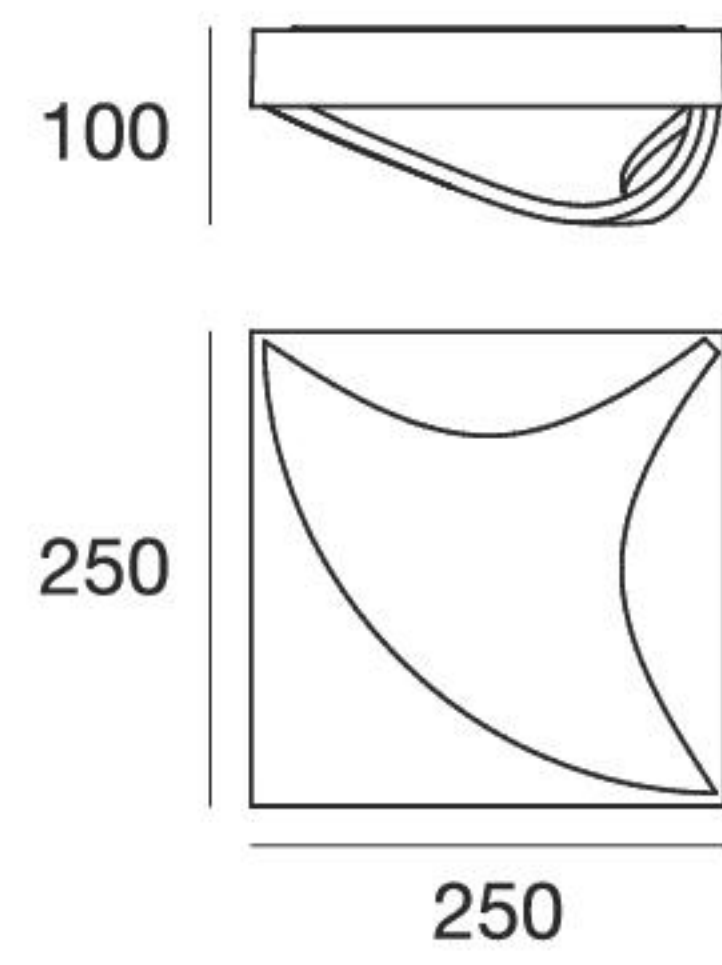
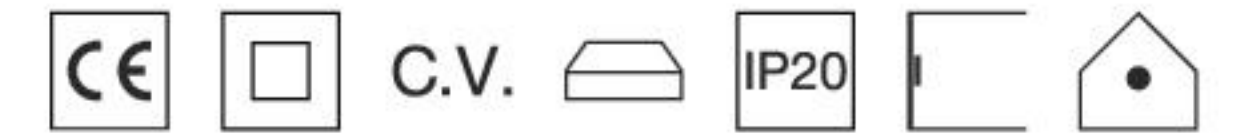


Moonflower | Master tile | topLED 2,5 W 220-240 V



type

White CRI 80 **7782**

colour

Dynamic white
from 1800 K to 5000 K

optics

diffused

master components



Driver
ON/OFF 60W
24V 2,5A
Max 16 tiles
INCLUDED

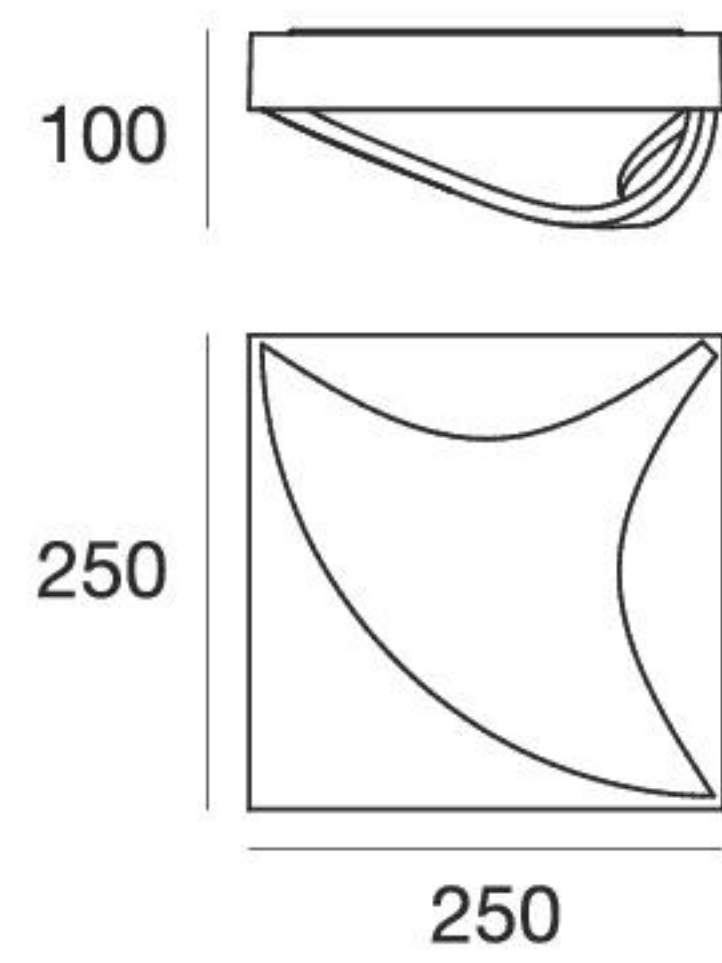


Dimmer
Dynamic white
24V 3A x 4ch.
INCLUDED



1x Cable
3x1 mm²
L= 600 mm
INCLUDED

Moonflower | Slave tile | topLED 2,5 W 24 V



type

White CRI 80 **7781**

colour

Dynamic white
from 1800 K to 5000 K

optics

diffused

Moonflower | Kit cable + splitter



Cable
3x1 mm²
L= 600 mm



Splitter
4xM - 2xM connectors
24V 3A - 24V 6A in/out

type

KIT0088

Moonflower | Other accessories



KIT0048
Fixing
bracket



99701
RF Remote
Full DYNAMIC

Moonflower | Installation scheme 1 m²

- 01 x **7782** Master tile
- 15 x **7781** Slave tile
- 08 x **KIT0088** Kit cable + splitter
- 48 x **KIT0048** Fixing bracket
- 01 x **99701** RF Remote

