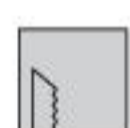
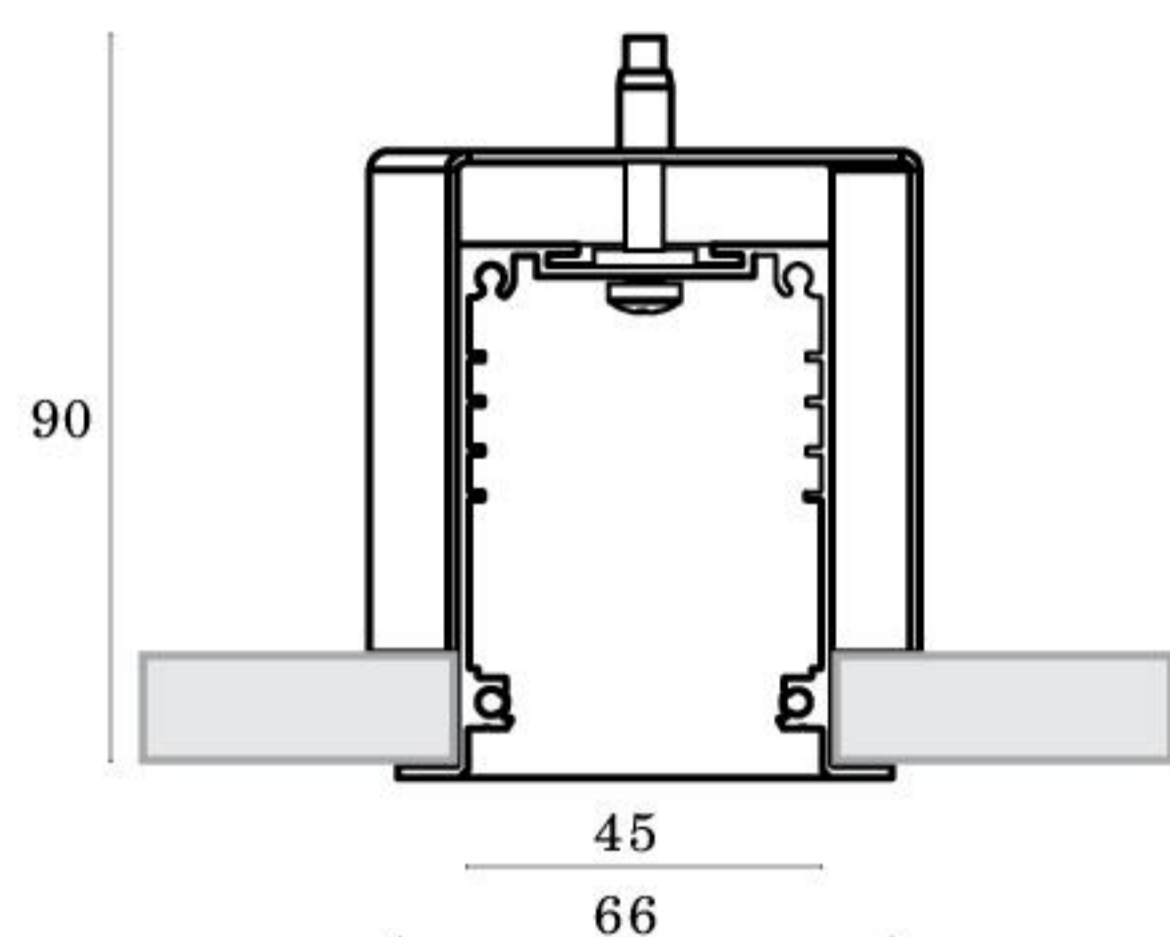


T-UNI RECESSED

Sistema modulare in alluminio estruso da incasso. Adatto per cartongesso spessore 9-13mm. Driver, diffusore opale/microprismatico inclusi. Accessori da ordinare separatamente.

Modular system in extruded aluminium for recessed installation. Suitable for plaster boards. Driver, opal/microprismatic diffuser included. Accessories to be ordered separately.

- 02- bianco / white
- 03- nero / black
- 99- custom



1145, 1425, 1705, 1985, 2265, 2545

CODICE / CODE	L.MM	W	LM
TNC.3443.D X Y. Z	1130	28/230V LED	3920/3820/3620
TNC.3444.D X Y. Z	1410	35/230V LED	4910/4780/4540
TNC.3445.D X Y. Z	1690	42/230V LED	5880/5730/5430
TNC.3446.D X Y. Z	1970	49/230V LED	6870/6690/6350
TNC.3447.D X Y. Z	2250	56/230V LED	7840/7640/7240
TNC.3448.D X Y. Z	2530	63/230V LED	8830/8600/8160

ACCESSORI / ACCESSORIES



CODICE / CODE

DESCRIZIONE / DESCRIPTION

TNC.TE Testata di chiusura. End cap.



TNC.MF Staffa di fissaggio. Fixing bracket.



TNC.CD Giunto lineare. Linear joint.



TNC.CA Cavo anticaduta. Suspension cable.