

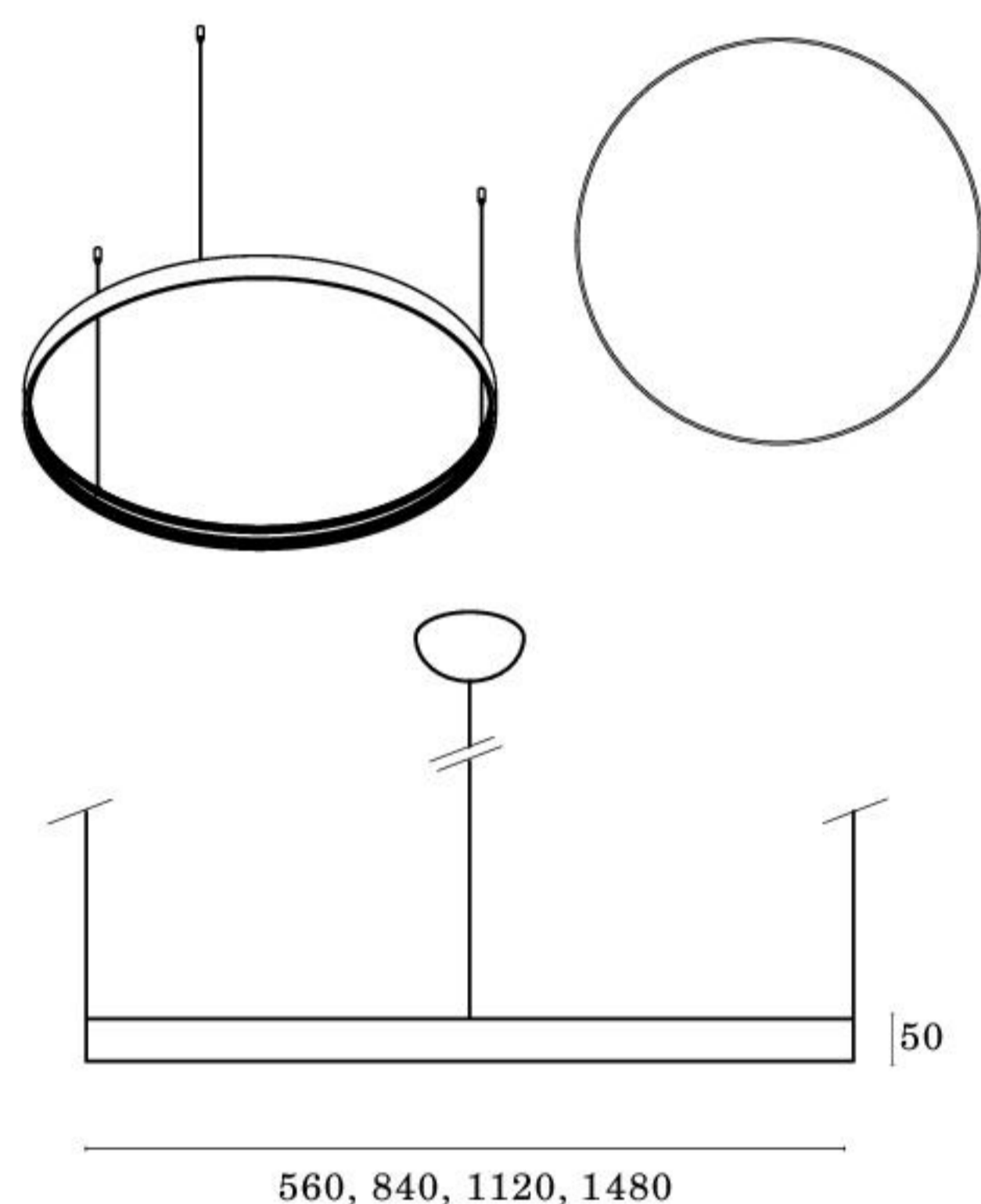
## MINU - R PERIMETER

Sistema modulare in alluminio estruso a sospensione. Diffusore opale incluso. Accessori da ordinare separatamente.

Modular system in extruded aluminium for ceiling or suspended installation. Opal diffuser included. Accessories to be ordered separately.



- 32- bianco raggrinzante / rough white
- 33- nero raggrinzante / rough black
- 99- custom



CODICE / CODE	L.MM	W	LM	DRIVER
<b>MNU.5635. 1 X Y. Z</b>	560	30	3010/2630	driver escluso / excluded.
<b>MNU.5636. 1 X Y. Z</b>	840	50	4520/3950	driver escluso / excluded.
<b>MNU.5637. 1 X Y. Z</b>	1120	70	6020/5270	driver escluso / excluded.
<b>MNU.5638. 1 X Y. Z</b>	1480	110	9460/9100	driver escluso / excluded.

### ACCESSORI / ACCESSORIES



### CODICE / CODE

### DESCRIZIONE / DESCRIPTION

**MNU.SP1** Kit di sospensione L2000m + driver 50W.  
Suspension kit L2000mm and driver 50W.

**MNU.SP2** Kit di sospensione L4000m + driver 50W.  
Suspension kit L4000mm and driver 50W.

**MNU.SP3** Kit di sospensione L2000m + driver 110W.  
Suspension kit L2000mm and driver 110W.

**MNU.SP4** Kit di sospensione L4000m + driver 110W.  
Suspension kit L4000mm and driver 110W.