

D. OPTIC 36° 1	X. CRI80 5	Y. 4000K 7
OPTIC 24° 2	CRI90 6	3000K 8
OPTIC 12° 3		2700K 9

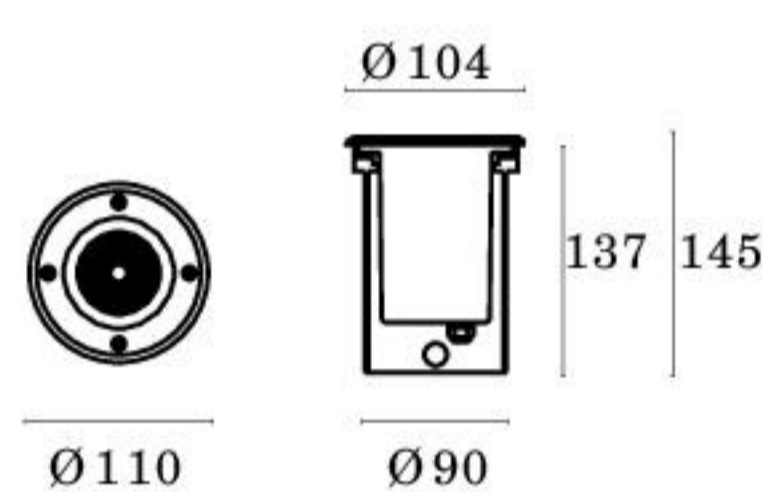
DIANA

Struttura e anello di chiusura in acciaio inox, vetro temperato infrangibile da 8 mm di spessore, pannello in materiale plastico installabile. Disponibile nelle versioni con ottica fissa, orientabile, RGB e adatta ad ospitare lampade Gu10.

Body and closure ring in stainless steel, tempered and shatterproof glass 8 mm thick, can be installed a plastic cockpit. Available in fixed, adjustable and RGB versions. The closing frame and screws are in stainless steel AISI 304L.

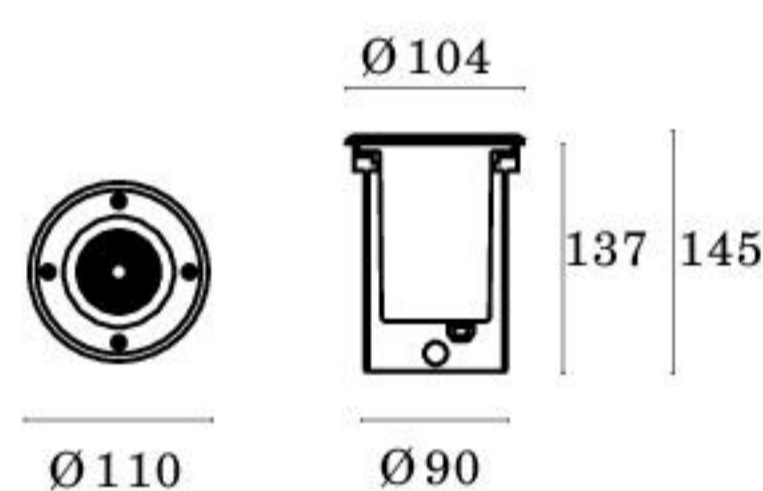


FISSO. FIXED

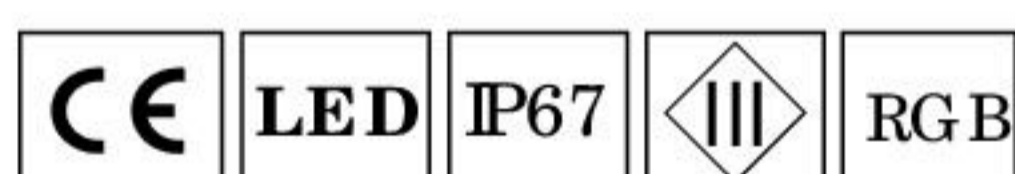


CODICE / CODE	D.MM	W	LM	DRIVER
JEO .5502. D X Y	Ø 110	9W/230V LED	890/840/770	built-in/incorporato
JEO .35 FG UB	Ø 110	20W/230V LED Gu10		

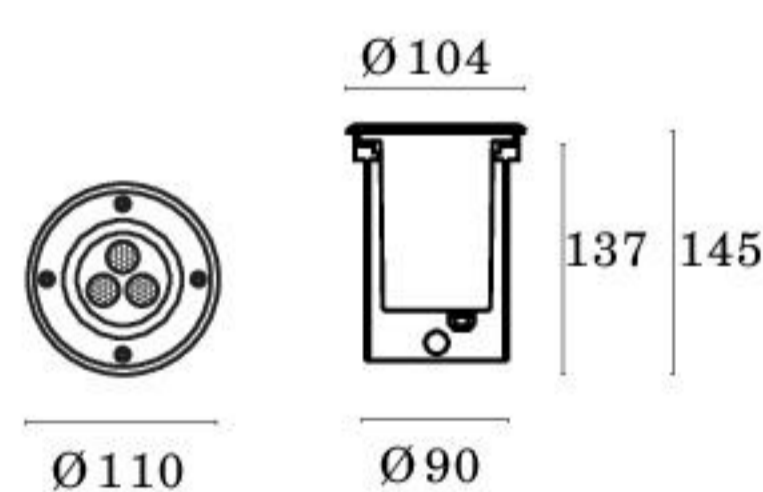
ORIENTABILE. ADJUSTABLE



CODICE / CODE	D.MM	W	LM	DRIVER
JEO .5503. D X Y	Ø 110	9W/230V LED	890/840/770	built-in/incorporato
JEO .35 MG UB	Ø 110	20W/230V LED Gu10		



FISSO. FIXED RGB

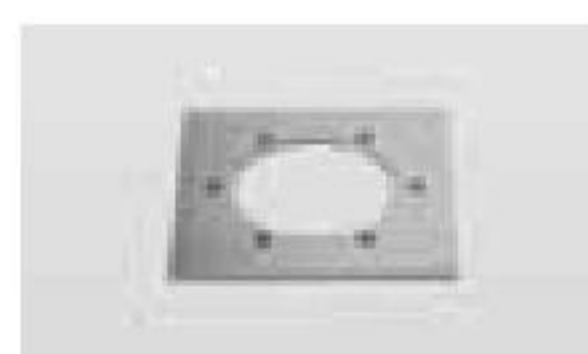


CODICE / CODE	D.MM	W	LM	FASCIO/BEAM	DRIVER
JEO .5502.299	Ø 110	6W/24V LED RGB	420	25°	escluso

ACCESSORI / ACCESSORIES



JEO.FG Vetro sabbia to. Sand ed glass.



JEO.FR2 Cornice quadrata. Square ring.



AAA.CN3 Connettore IP68, 3vie. IP68 waterproof connector, 3way.
AAA.CN4 Connettore IP68, 4vie. IP68 waterproof connector, 4way.



JEO.MS Master JEO RGB.
JEO.SL Slave JEO RGB.