

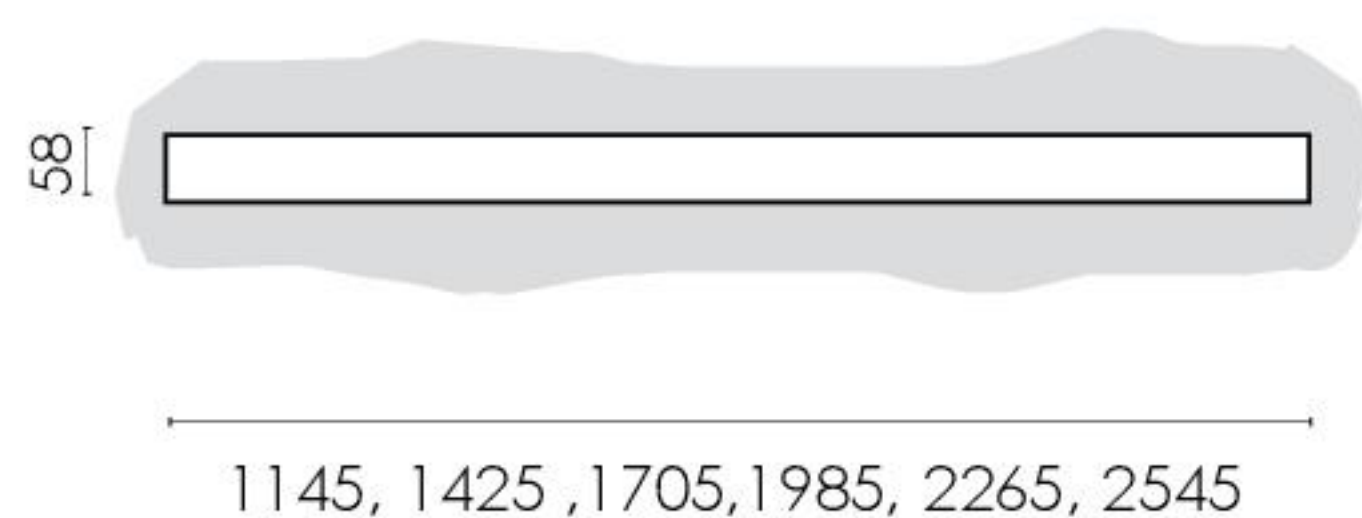
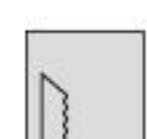
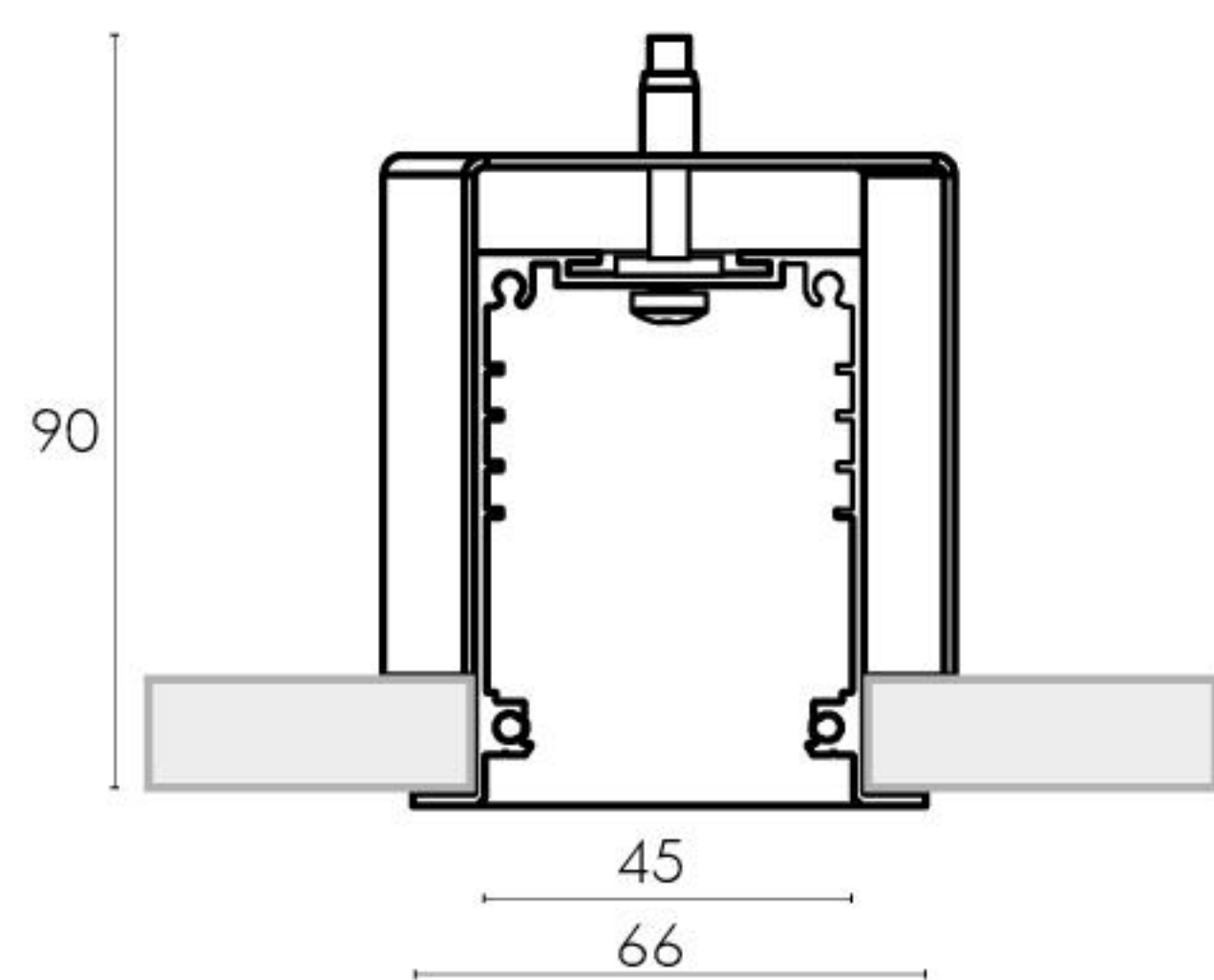
D. OPAL 0	X. CRI80 5	Y. 5000K 6	DIM 1-10V A1
MICRO PRISMATIC 9	CRI90 6	4000K 7	DALI A2
		3000K 8	

T-UNI RECESSED

Sistema modulare in alluminio estruso da incasso. Adatto per cartongesso spessore 9-13mm. Driver, diffusore opale/microprismato inclusi. Accessori da ordinare separatamente.

Modular system in extruded aluminium for recessed installation. Suitable for plasterboards. Driver, opal/microprismatic diffuser included. Accessories to be ordered separately.

- 02- bianco /white
- 03- nero / black
- 99- custom



CODICE / CODE	L.MM	W	LM	ON/OFF	DIMM A1/A2
TNC.3443.D X Y. Z	1130	28/230V LED	3920/3820/3620	€ 134,40	€ 184,40
TNC.3444.D X Y. Z	1410	35/230V LED	4910/4780/4540	€ 151,20	€ 201,20
TNC.3445.D X Y. Z	1690	42/230V LED	5880/5730/5430	€ 180,60	€ 230,60
TNC.3446.D X Y. Z	1970	49/230V LED	6870/6690/6350	€ 222,60	€ 322,60
TNC.3447.D X Y. Z	2250	56/230V LED	7840/7640/7240	€ 239,40	€ 339,40
TNC.3448.D X Y. Z	2530	63/230V LED	8830/8600/8160	€ 260,40	€ 360,40

ACCESSORI / ACCESSORIES



CODICE / CODE	DESCRIZIONE / DESCRIPTION	ON/OFF
TNC.TE	Testata di chiusura. End cap.	€ 8,00
TNC.MF	Staffa di fissaggio. Fixing bracket.	€ 6,50
TNC.CD	Giunto lineare. Linear joint.	€ 16,00
TNC.CA	Cavo anticaduta. Suspension cable.	€ 12,90