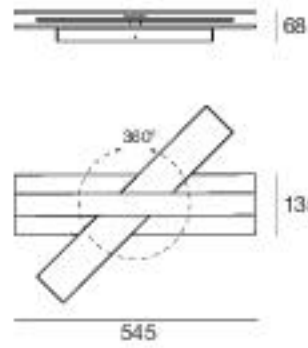


**Eclips\_W** | Ceiling-Wall light | 220-240 V | 20 W



**type**

White	CFI 90	<b>8150</b>
Wh. AL	CFI 90	<b>8151</b>
Cha BL	CFI 90	<b>8152</b>
BL Cha	CFI 90	<b>8153</b>

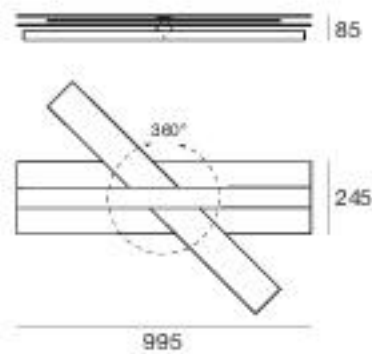
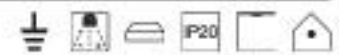
**colour**

3000 K 2422 lm

**optics**

diffused

**Eclips\_S** | Ceiling luminaires | 220-240 V | 36 W



**type**

White	CFI 90	<b>8155</b>
Wh. AL	CFI 90	<b>8156</b>
Cha BL	CFI 90	<b>8157</b>
BL Cha	CFI 90	<b>8158</b>

**colour**

3000 K 4269 lm

**optics**

diffused