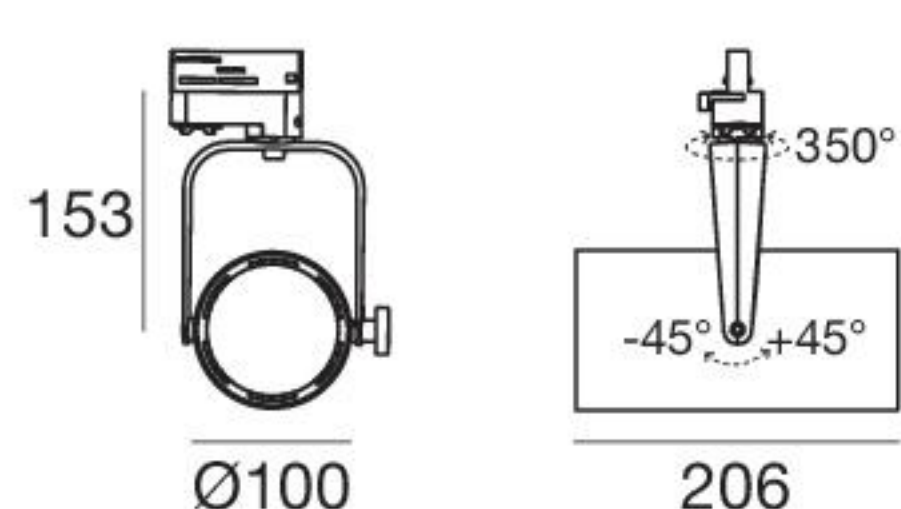
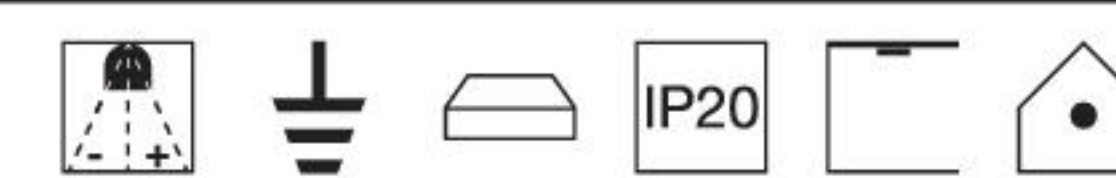
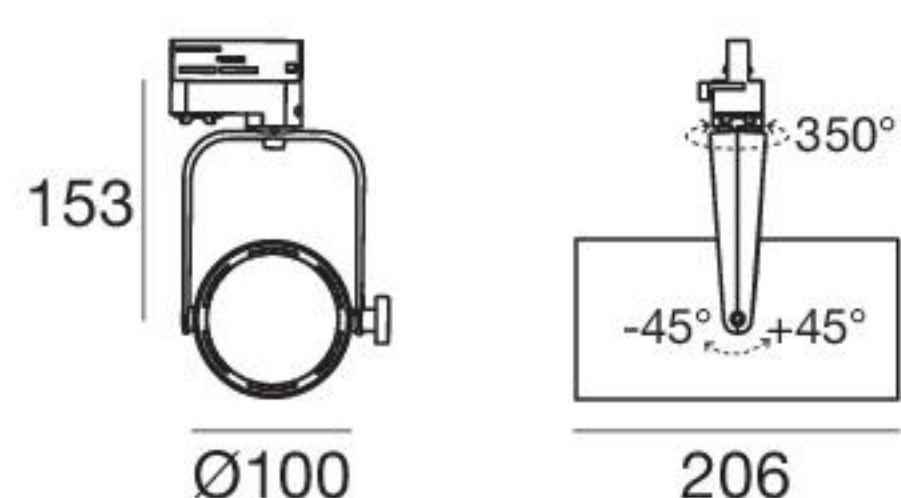


Angular_1 | Track luminaires | 180-300 V | arrayLED 35 W 950 mA



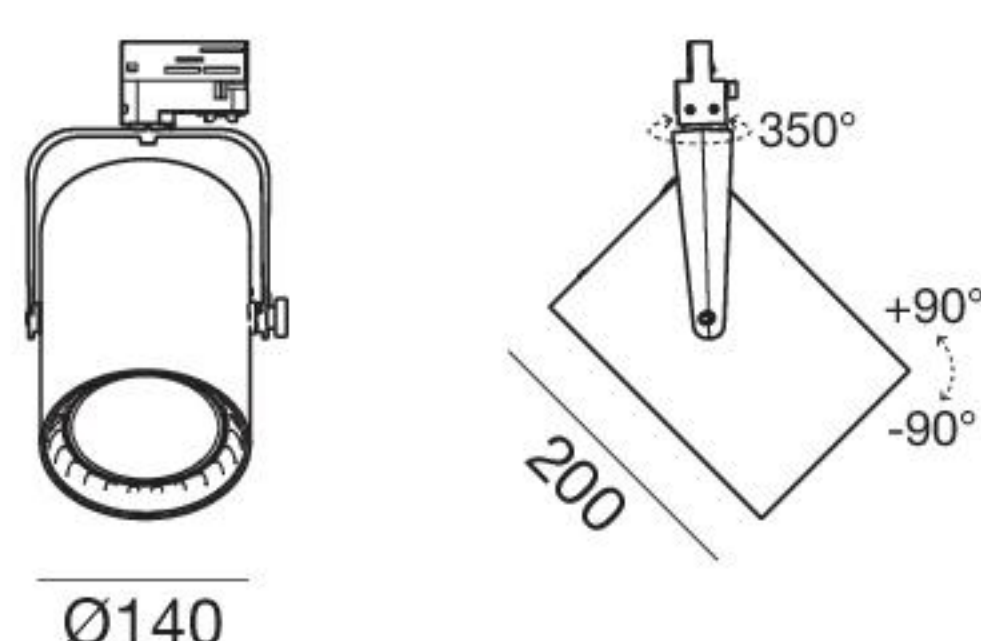
type		colour			optic	
White	CRI 95	91247	2700 K	3064 lm	M	15° 15
Black	CRI 95	91256	3000 K	3291 lm	W	30° 30
Grey	CRI 95	91258	4000 K	3519 lm	N	60° 60
White	CRI 80	91259	2700 K	4051 lm	M	15° 15
Black	CRI 80	91267	3000 K	4355 lm	W	30° 30
Grey	CRI 80	91268	4000 K	4659 lm	N	60° 60

Angular_1 DALI | Track luminaires | 180-300 V | arrayLED 20 W 580 mA



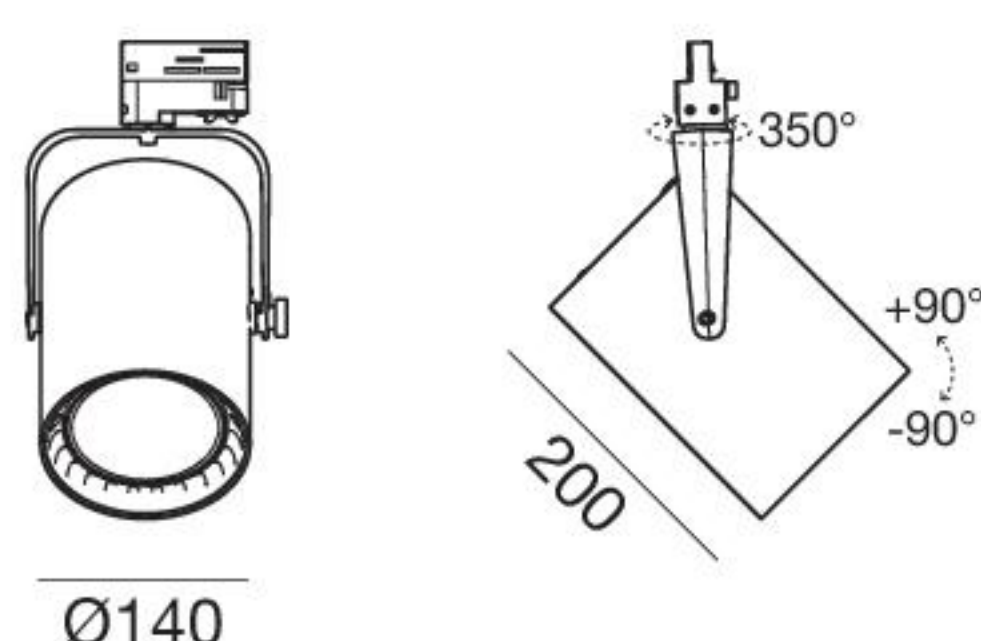
type		colour			optic	
White	CRI 95	91611	3000 K	2062 lm	W	15° 15
Black	CRI 95	91612	4000 K	2214 lm	N	30° 30
Grey	CRI 95	91613				60° 60

Angular_2 | Track luminaires | 180-300 V | arrayLED 35 W 950 mA



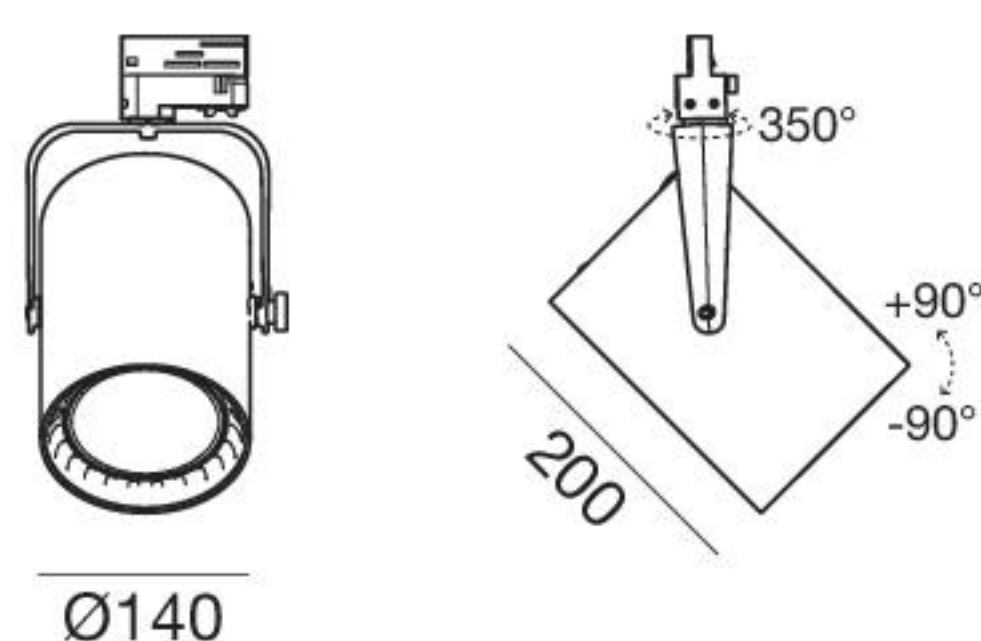
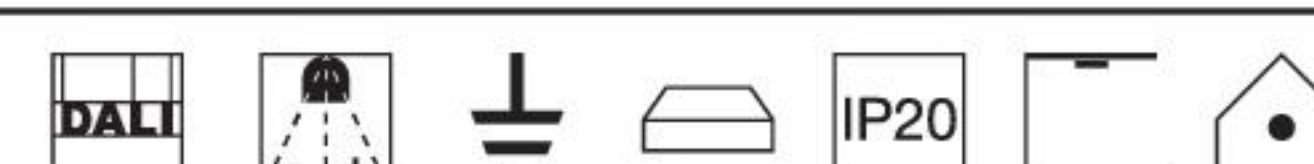
type		colour			optic	
White	CRI 95	95869	2700 K	3169 lm	M	10° 10
Black	CRI 95	95870	3000 K	3407 lm	W	30° 30
Grey	CRI 95	95871	4000 K	3644 lm	N	60° 60
White	CRI 80	95881	2700 K	4051 lm	M	10° 10
Black	CRI 80	95882	3000 K	4355 lm	W	30° 30
Grey	CRI 80	95883	4000 K	4659 lm	N	60° 60

Angular_2 | Track luminaires | 180-300 V | arrayLED 50 W 1300 mA



type		colour			optic	
White	CRI 95	95872	2700 K	4015 lm	M	10° 10
Black	CRI 95	95873	3000 K	4310 lm	W	30° 30
Grey	CRI 95	95874	4000 K	4611 lm	N	60° 60
White	CRI 80	95884	2700 K	5300 lm	M	10° 10
Black	CRI 80	95885	3000 K	5695 lm	W	30° 30
Grey	CRI 80	95886	4000 K	6090 lm	N	60° 60

Angular_2 DALI | Track luminaires | 180-300 V | arrayLED 45 W 1200 mA



type		colour			optic	
White	CRI 95	91608	3000 K	4070 lm	W	10° 10
Black	CRI 95	91609	4000 K	4354 lm	N	30° 30
Grey	CRI 95	91610				60° 60