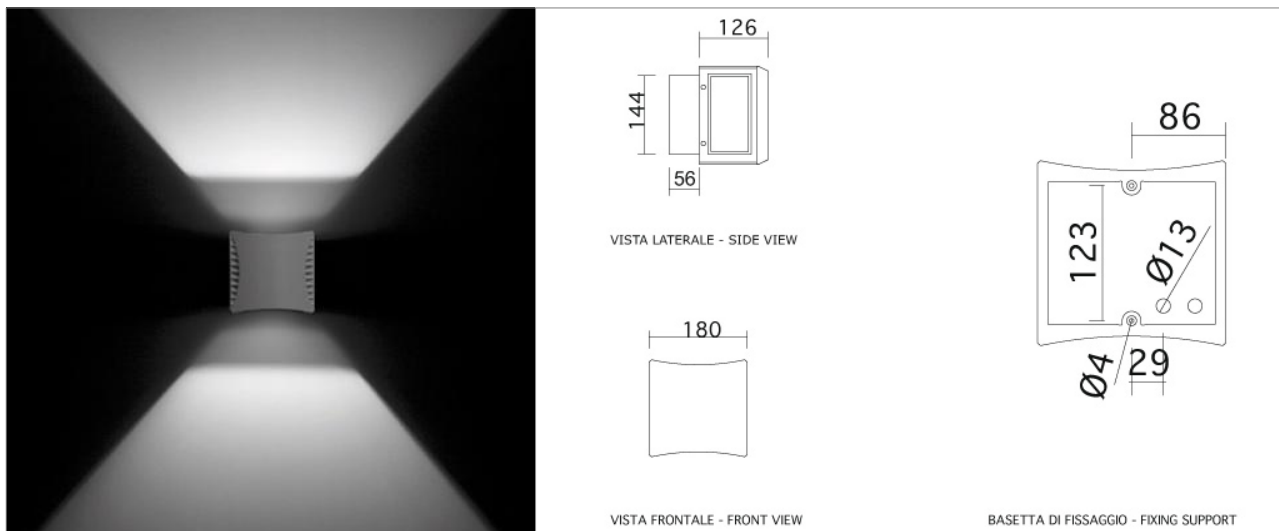


## Art. F.6998

### miniCLASS Applique LED 19W (2xC0 27.6°-C90 46°) 220/240V



#### SPECIFICATION SHEET

**Housing:**

Housing and cover in die-cast aluminium ENAB 46100.

**Diffuser:**

Transparent tempered glass diffuser

**Closing screws:**

Screws in stainless steel A4

**Rubber gasket:**

Epdm rubber gaskets

**Wiring:**

Polyamide cable blocker IP68 PG11 for cable Ø5-10mm.

**Installation:**

Applique.

**Dimensions:**

Fixing base side 144mm, depth 182mm, side body 180mm.

**Weight:**

2.43 Kg

**Color:**

.1 anthracite, .2 white, .4 grey aluminium, .8 corten

**Option:**

LED .28 3000°K

#### SOURCE DESCRIPTION

**Color Temperature:**

4000°K

**CRI:**

CRI 85

**Rated luminous flux:**

Lighting flow: 2455 lm. Total assorbed power 21w.

#### CERTIFICATIONS

**Normative:**

EN60598 and relative specifications

**European Certification:**

CE

**Protection Class:**

IP65-IK08

**Insulation Class:**

Class I

**Energy Efficiency:**

