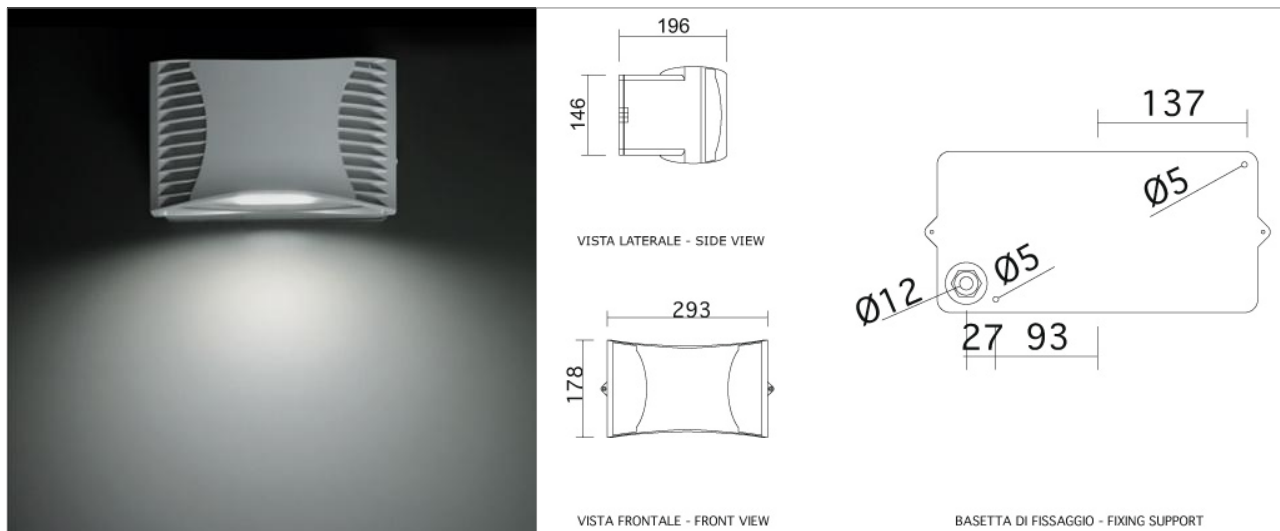


Art. F.7070

CLASS Applique LED 13W (C0 111°-C90 110°) 220/240V



SPECIFICATION SHEET

Housing:

Housing and cover in die-cast aluminium ENAB 46100.

Diffuser:

Prismatized tempered glass diffuser

Closing screws:

Screws in stainless steel A4

Rubber gasket:

Silicone rubber gaskets

Wiring:

Brass cable bloker IP68 in nickel plated M20 for cable Ø7-13mm.

Installation:

Applique.

Dimensions:

Fixing base width 293mm height 177mm, depth 197mm.

Weight:

2.55 Kg

Color:

.1 anthracite, .2 white, .4 grey aluminium, .8 corten

Option:

LED .28 3000°K

SOURCE DESCRIPTION

Color Temperature:

4000°K

CRI:

CRI 85

Rated luminous flux:

Lighting flow: 950 lumen. Total assorbed power 13w.

CERTIFICATIONS

Normative:

EN60598 and relative specifications

European Certification:

CE

Protection Class:

IP65-IK08

Insulation Class:

Class I

Energy Efficiency:

