

# colonna 52

example code:  
 | art. | electrification | finishing | size |  
 430 . F18 . 070  
 INOX example code:  
 | art. | electrification | finishing | size |  
 9200 . F18 . 070

art.  
**430**  
**9200**

design **Ufficio Tecnico Landa**

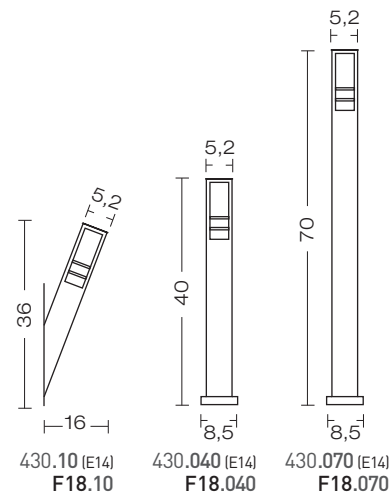
CONTEMPORARY  
 136



430

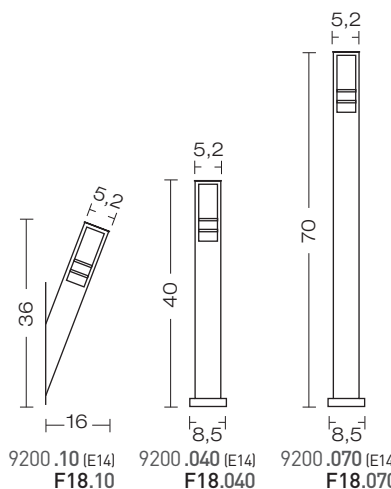
corpo alluminio estruso  
 body extruded aluminium  
 corps en aluminium extrudé  
 cuerpo aluminio extrusionado  
 Körper Aluminium

COLOURS



9200

corpo acciaio inox AISI 316L  
 body stainless steel AISI 316L  
 corps acier inoxydable AISI 316L  
 cuerpo acero inox AISI 316L  
 Körper Edelstahl AISI 316L



diffusore policarbonato  
 diffuser polycarbonate  
 diffusor polycarbonate  
 difusor policarbonato  
 Diffuser Polykarbonat



stainless steel **CLEANER**  
 code OODEC  
 details: p.A60

FOR TECHNICAL DETAILS VISIT  
[www.landa.it](http://www.landa.it)

IP44

850°

ELECTRIFICATION

430.10	<b>E14</b>	<b>F18</b>
.040	1x max 11 W	1x18 W
.070		G24 q-2

9200.10		
.040		
.070		

A+ ÷ E      A+ ÷ B

Energy efficiency classes

colonna 52



PROJECTORS



RECESSED



CONTEMPORARY



ENERGY  
SAVING

TRADITIONAL



CONTEMPORARY

137

