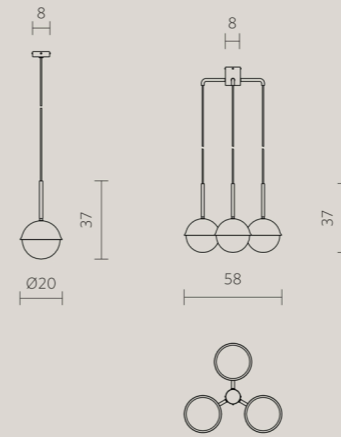


# NETTA SOSPENSIONE

2017





## DETAILS

Mounting	Materials	Weight (Kg)
Ceiling lamp	iron/brass/glass	2,00/7,00

## RATING

Bulb type	Working voltage	Protection
1 x LED max 6W E27 or 3 x LED max 6W E27	220/240 V	Class I/IP 20

## FINISHING

-  TNE100-3401 black chrome (1 light)
-  TNE110-3401 black chrome (3 lights)

