

Minor Plus LED tondo alimentatore elettronico da ordinare a parte
Minor Plus LED round electronic driver to be ordered separately



DISPONIBILE DA
GIUGNO
AVAILABLE FROM
JUNE

3000 K

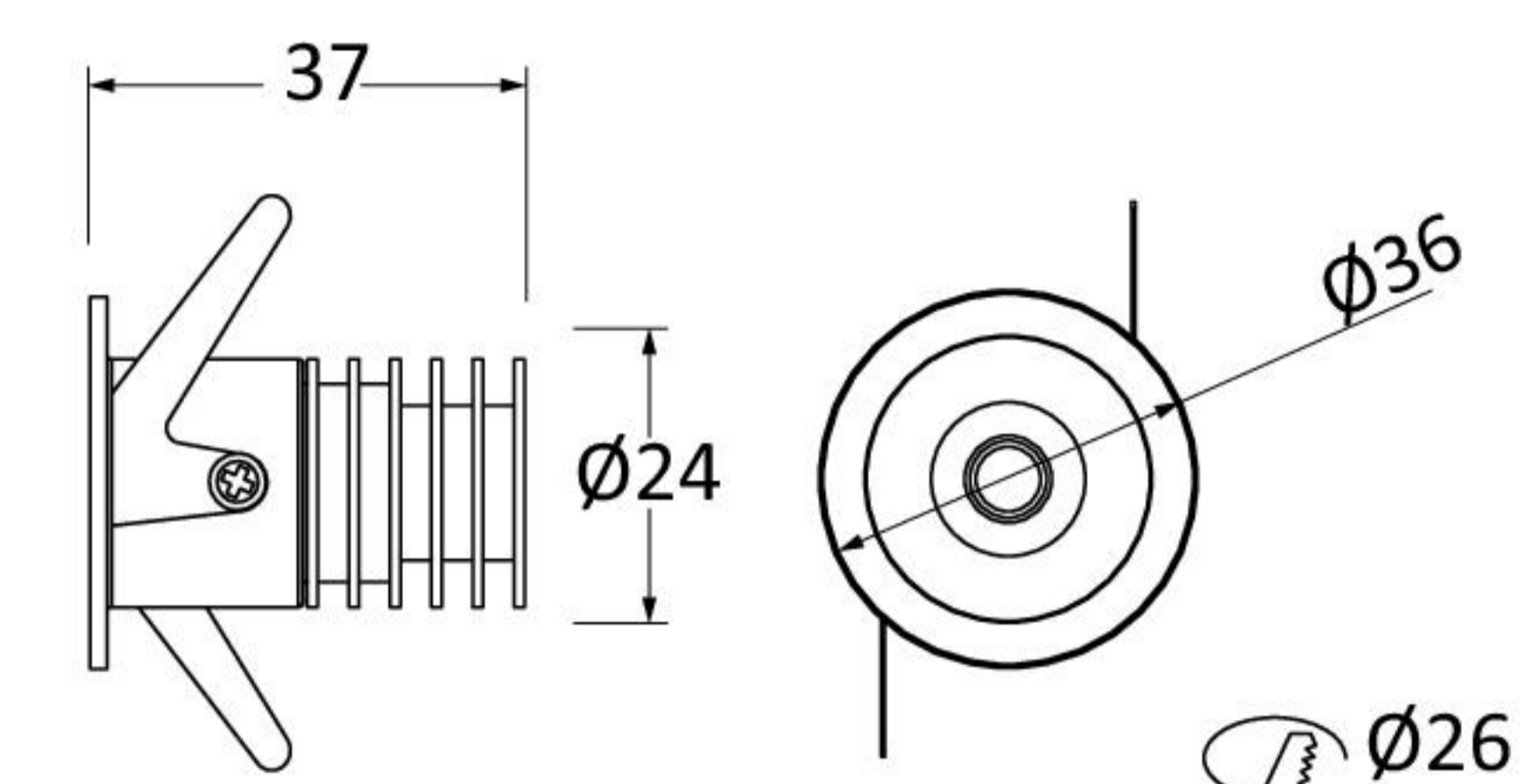
Codice/Code	W led	Fascio/Beam	Flusso apparecchio (lm)/Fixture flux (lm)
101701.__	3@700mA	30°	109

4000 K

Codice/Code	W led	Fascio/Beam	Flusso apparecchio (lm)/Fixture flux (lm)
101702.__	3@700mA	30°	109



- ..01 - Bianco/White
- ..03 - Grigio/Grey



Minor Plus LED tondo alimentatore elettronico da ordinare a parte
Minor Plus LED round electronic driver to be ordered separately

3000 K

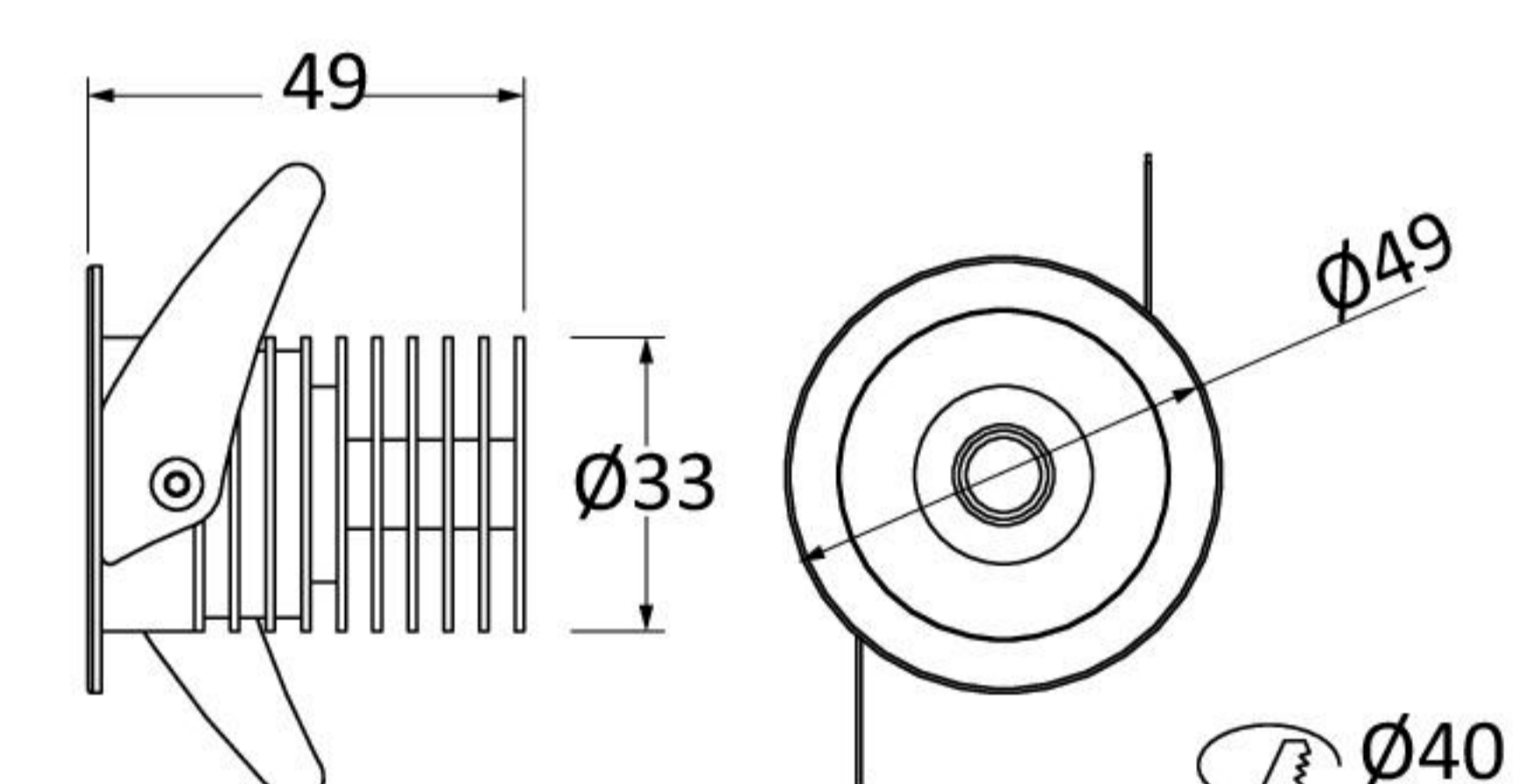
Codice/Code	W led	Fascio/Beam	Flusso apparecchio (lm)/Fixture flux (lm)
16001.__	6@350mA	35°	598
16005.__	6@350mA	60°	588

4000 K

Codice/Code	W led	Fascio/Beam	Flusso apparecchio (lm)/Fixture flux (lm)
16002.__	6@350mA	35°	631
16006.__	6@350mA	60°	619



- ..01 - Bianco/White
- ..03 - Grigio/Grey



Minor Plus LED tondo alimentatore elettronico da ordinare a parte
Minor Plus LED round electronic driver to be ordered separately

3000 K

Codice/Code	W led	Fascio/Beam	Flusso apparecchio (lm)/Fixture flux (lm)
16003.__	12@700mA	35°	1017
16007.__	12@700mA	60°	1079

4000 K

Codice/Code	W led	Fascio/Beam	Flusso apparecchio (lm)/Fixture flux (lm)
16004.__	12@700mA	35°	1072
16008.__	12@700mA	60°	1139



- ..01 - Bianco/White
- ..03 - Grigio/Grey

