

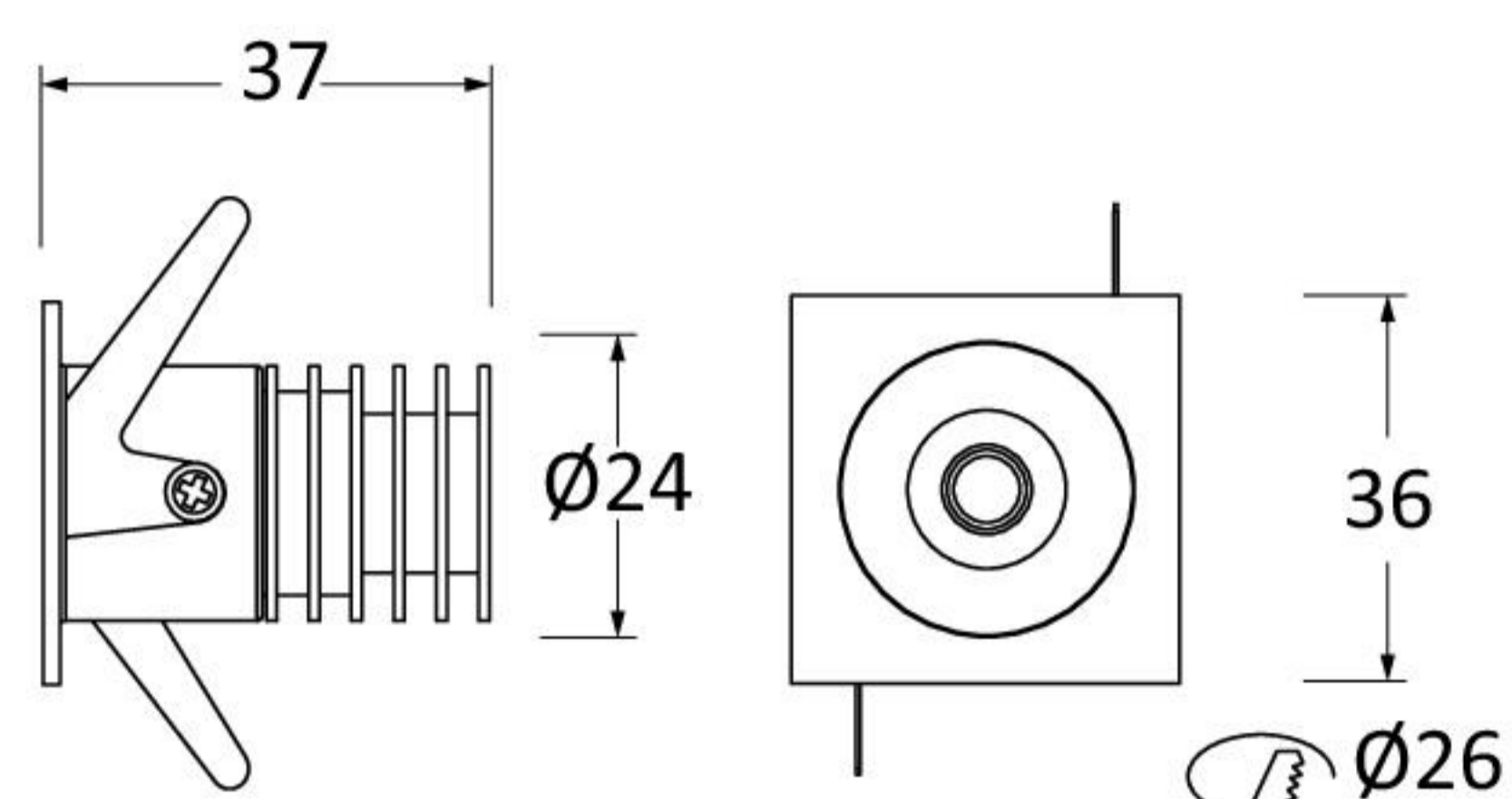


DISPONIBILE DA
GIUGNO
AVAILABLE FROM
JUNE

Minor Plus LED quadrato alimentatore elettronico da ordinare a parte
Minor Plus LED square electronic driver to be ordered separately



- ..01 - Bianco/White
- ..03 - Grigio/Grey



3000 K

Codice/Code	W led	Fascio/Beam	Flusso apparecchio (lm)/Fixture flux (lm)
101703. __	3@700mA	30°	109

4000 K

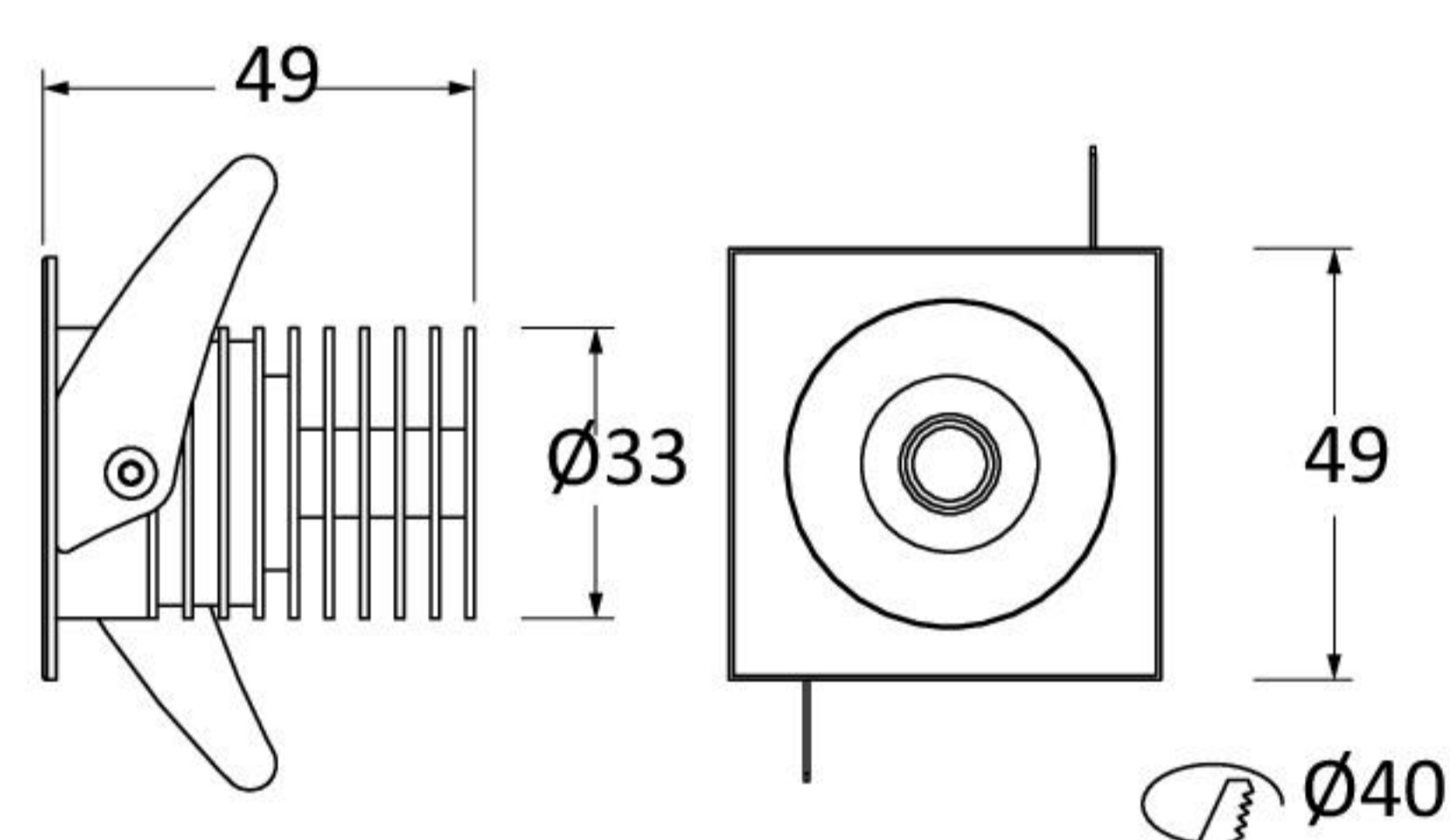
Codice/Code	W led	Fascio/Beam	Flusso apparecchio (lm)/Fixture flux (lm)
101704. __	3@700mA	30°	109



Minor Plus LED quadrato alimentatore elettronico da ordinare a parte
Minor Plus LED square electronic driver to be ordered separately



- ..01 - Bianco/White
- ..03 - Grigio/Grey



3000 K

Codice/Code	W led	Fascio/Beam	Flusso apparecchio (lm)/Fixture flux (lm)
16801. __	6@350mA	35°	598
16805. __	6@350mA	60°	588

4000 K

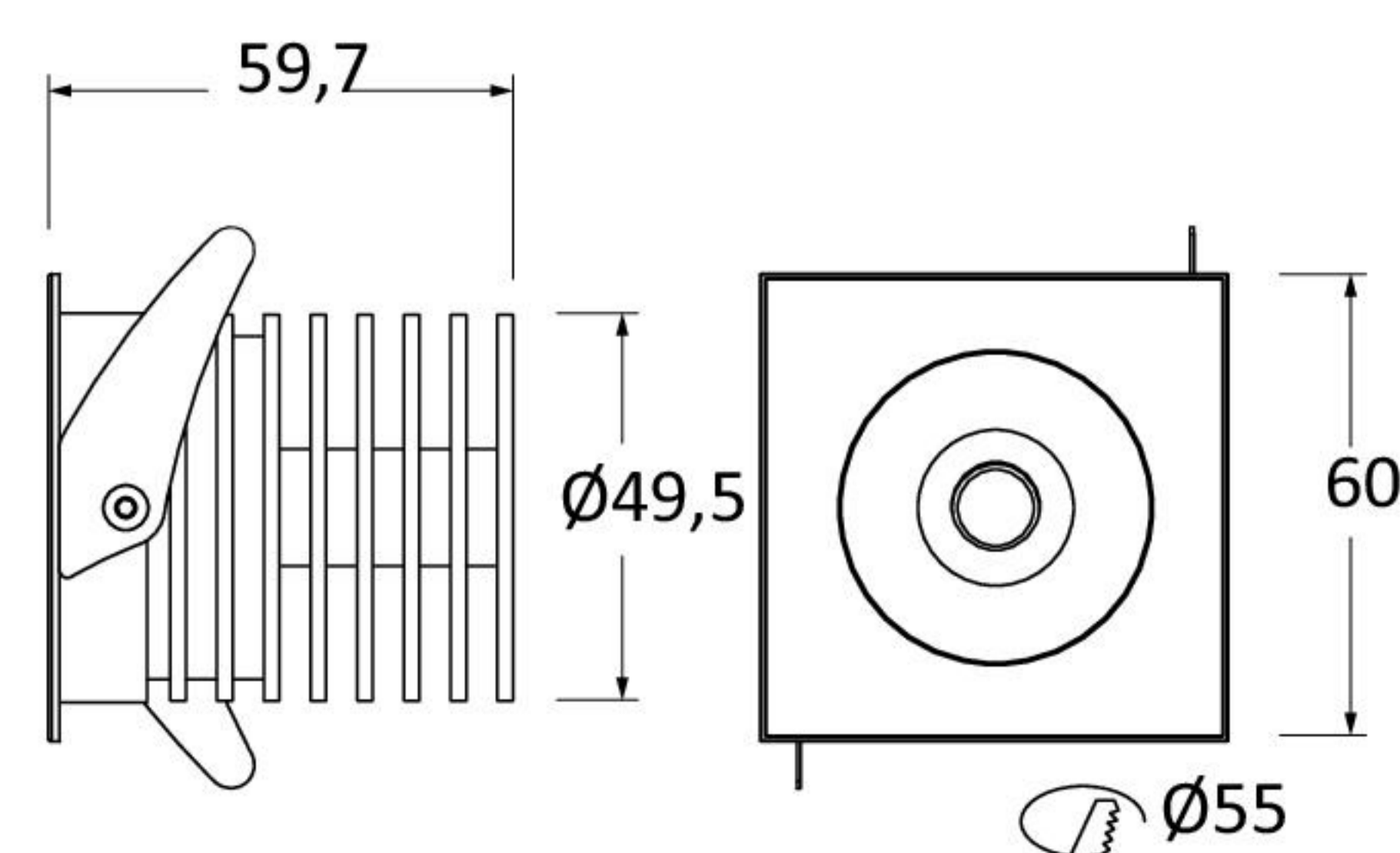
Codice/Code	W led	Fascio/Beam	Flusso apparecchio (lm)/Fixture flux (lm)
16802. __	6@350mA	35°	631
16806. __	6@350mA	60°	619



Minor Plus LED quadrato alimentatore elettronico da ordinare a parte
Minor Plus LED square electronic driver to be ordered separately



- ..01 - Bianco/White
- ..03 - Grigio/Grey



3000 K

Codice/Code	W led	Fascio/Beam	Flusso apparecchio (lm)/Fixture flux (lm)
16803. __	12@700mA	35°	1017
16807. __	12@700mA	60°	1079

4000 K

Codice/Code	W led	Fascio/Beam	Flusso apparecchio (lm)/Fixture flux (lm)
16804. __	12@700mA	35°	1072
16808. __	12@700mA	60°	1139

