

This document is exclusive MARECO LUCE s.r.l., is strictly prohibited disclosure or reproduction, even partial, as well the use of without written consent of MARECO LUCE s.r.l. The company reserves the right to change models, dimensions and materials at any time without notice.

PRODUCT DATA SHEET

Ara Led

Code : CD071584

PRODUCT FAMILY

Round applique for interior wall or ceiling application (IP40)

MATERIAL CHARACTERISTICS

Body made from nickel plated steel
 Convex diffuser made from white blow glass
 Colour: Nickel plates steel, White

LIGHTING CHARACTERISTICS

Mainly frontal light throw
 Led's technical details
 Monochromatic Led module 14.5W TTRIDONIC 4000K neutral white (NW), 1600 lm or 3000K warm white (WW), 1600 lm
 Lamp is in a fixed position

WIRING CHARACTERISTICS

Led's module directly fixed on base
 Direct supply 220-240V, 50-60Hz

INSTALLATION AND ORDINARY MAINTENANCE CHARACTERISTICS

Fixture for direct wall/ ceiling fixing using n.3 screws and expansion caps (not supplied)
 Rear cable entrance through cable tray
 Cable clamp for power supply cables 3x2.5mmq
 Tool-free ordinary maintenance by manually turning and removing the diffuser with bayonet neck

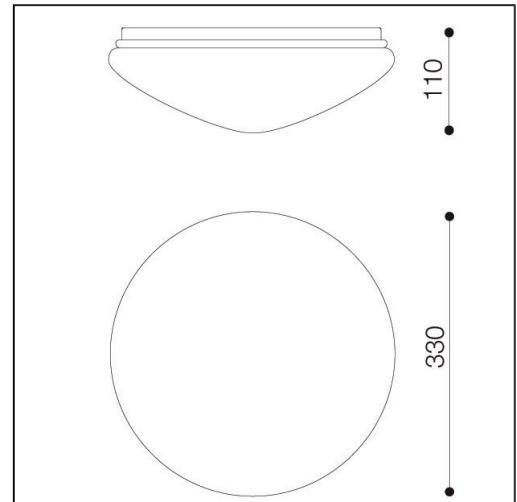
MEASUREMENT CHARACTERISTICS

Circular fixture with a diameter of Ø330mm and a height of 110mm

Rev 02- 19/05/2015

Details

- Conformity with CEE directives
- Mounting on normal flammable surface
- Energy-saving fittings
- Electronic supply
- IP 40



230V 50Hz LED 14,5W

