

This document is exclusive MARECO LUCE s.r.l., is strictly prohibited disclosure or reproduction, even partial, as well the use of without written consent of MARECO LUCE s.r.l. The company reserves the right to change models, dimensions and materials at any time without notice.

PRODUCT DATA SHEET

Erica

Code : 0705101B

PRODUCT FAMILY

Round applique for interior and exterior for wall or ceiling application (IP65).

MATERIAL CHARACTERISTICS

Body and clip-hooks made from moulded white stabilized, anti-UV PC

Reflector/ gear tray (FSD, FC versions) made from moulded white stabilized, anti-UV PC

Reflector (E 27 version) in aluminium

White, convex diffuser in PMMA

Colours: White, Black

LIGHTING CHARACTERISTICS

High performance output due to internal reflector with mainly frontal and lateral light throw.

Lamp is in a fixed position

WIRING CHARACTERISTICS

Wiring on gear tray (FSD, FC versions only)

Wiring directly on base (E27 version only)

Ferromagnetic ballast

INSTALLATION AND ORDINARY MAINTENANCE CHARACTERISTICS

Fixture for direct wall/ ceiling fixing using n.3 screws and expansion caps (not supplied)

Rear cable entrance through cable tray or cable entrance through external canalisation max Ø20mm

Cable clamp for power supply cables 2x2.5mmq

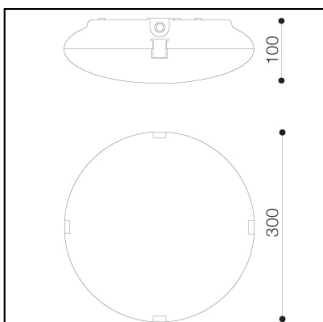
Tool-free ordinary maintenance by unhooking the n.3 clip-hooks holding diffuser for access to optic compartment

MEASUREMENT CHARACTERISTICS

Circular fixture with a diameter of Ø300mm and a height of 100mm discount coupons for prescriptions discount prescription drug card viagra coupons freefree viagra coupon go printable coupons for viagra

Details

- Conformity with CEE directives
- Double insulation/class II
- Mounting on normal flammable surface
- Energy-saving fittings
- Resistant to atmospheric agents
- Inalterable to ultraviolet radiations
- IP 65



230V 50Hz FBT 15W E27						
CE						IP65

